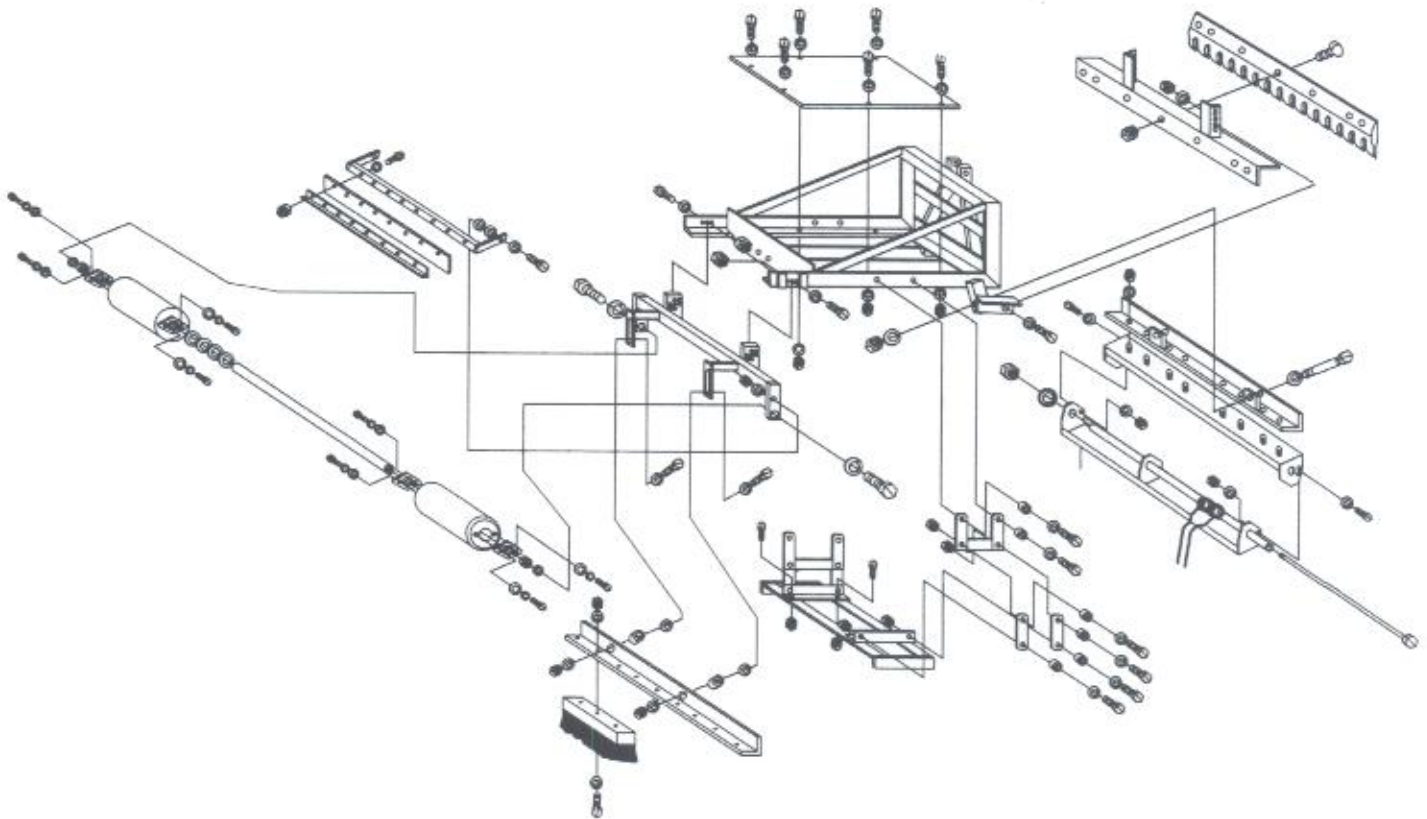




B-BP-4 Ballpark-4 Groomer

Parts Manual



Updated: April 2003

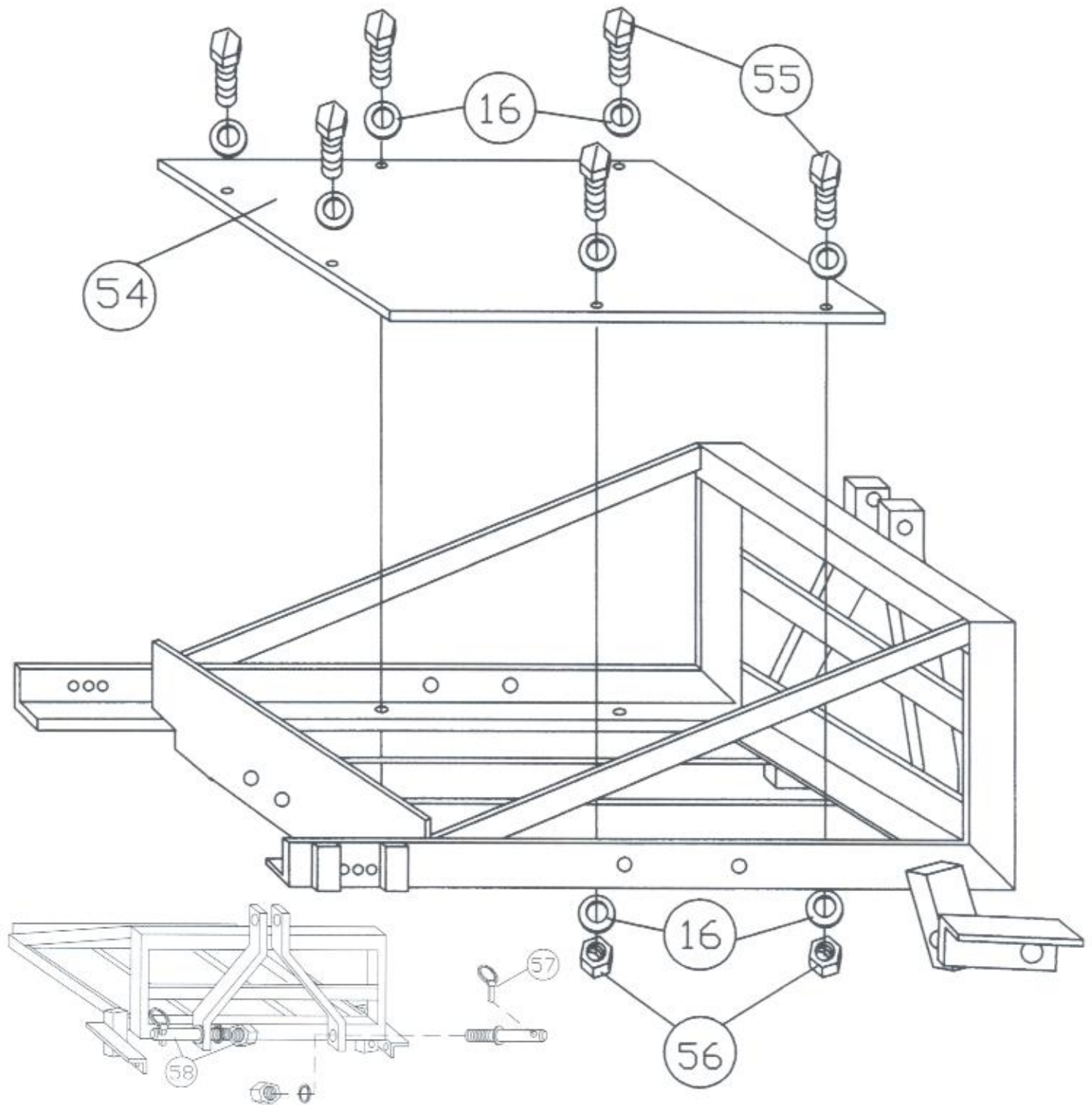


Figure No. 1 - B-BP-4 Main Frame Assembly

Item No.	Part No.	Part Description	Qty.
16	02005	Wahser, Flat - 5/16"	14
54	15023	Platform	15
55	02007	Hex Head Cap Crew - 5/16"-16X1"	6
56	02004	Nut, Nylon Insert - 5/16"	6
57	15045	Pin, Linch	2
58	15044	Pin, Hitch (Includes: Nut & Lock Washer)	2

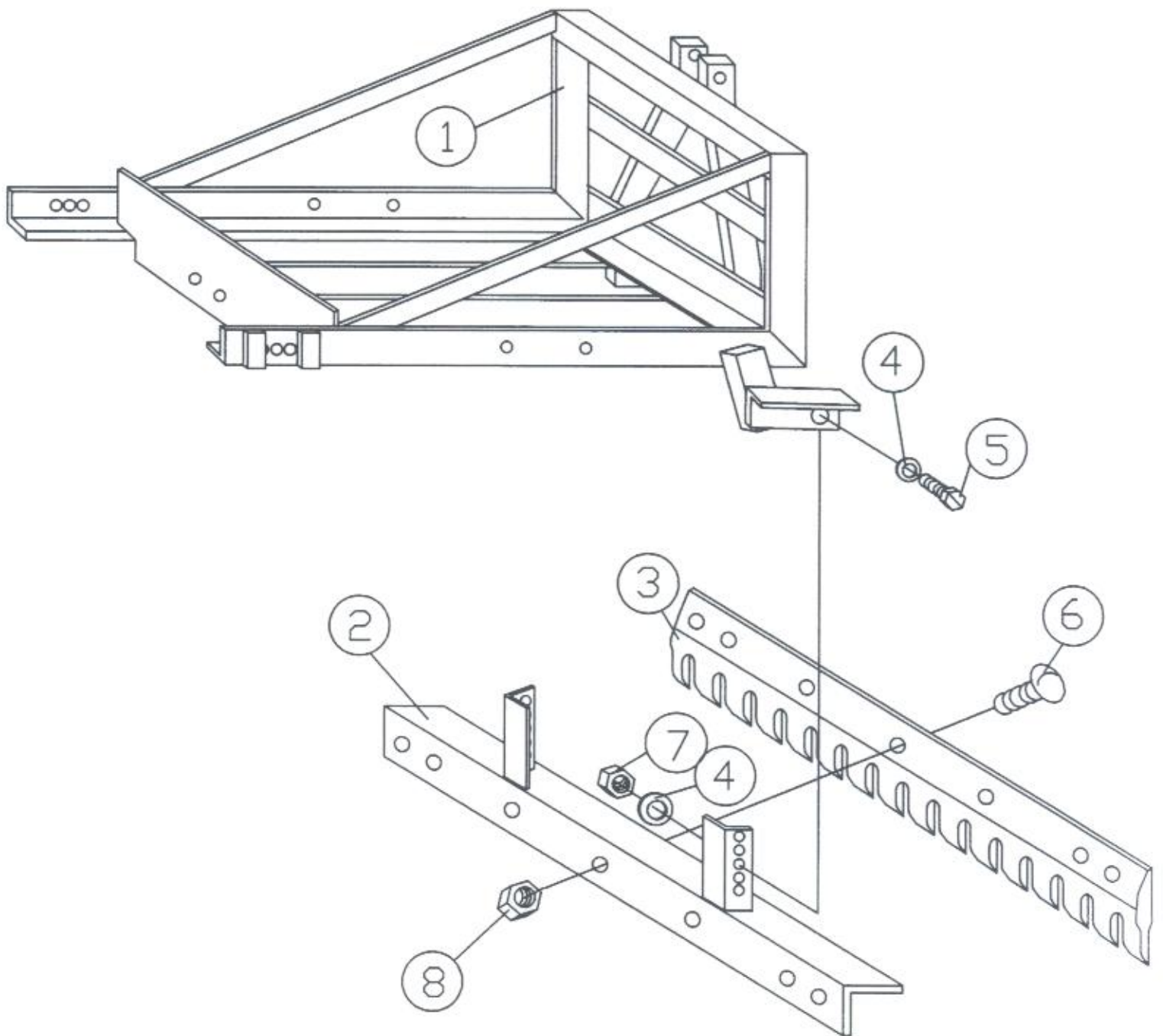


Figure No. 2 - B-BP-4 Ripper Blade Assembly

Item No.	Part No.	Part Description	Qty.
1	15001	Frame - Main	1
2	15601	Frame - Ripper Blade (B-BP-4)	1
3	15615	Ripper Blade (B-BP-4)	1
4	03032	Washer, Flat - 1/2"	4
5	11225	Hex Head Cap Screw - 1/2"-13X1-3/4"	2
6	15032	Hex Head Cap Screw - 5/8"-11X2"	5
7	03024	Nut, Nylon Insert - 1/2"	2
8	15033	Nut, Running - 5/8"	5

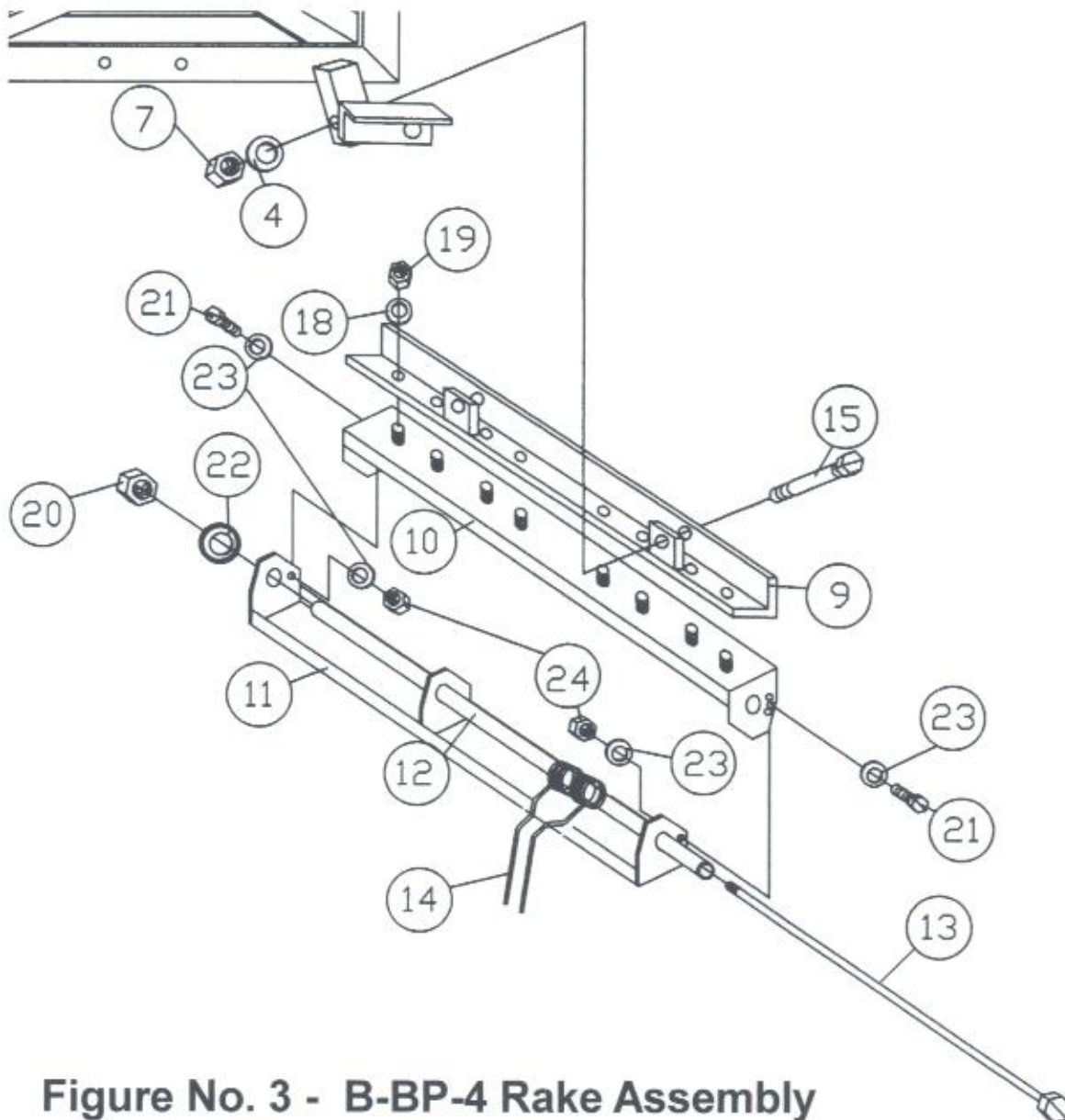


Figure No. 3 - B-BP-4 Rake Assembly

Item No.	Part No.	Part Description	Qty.
4	03032	Washer, Flat - 1/2"	2
7	03024	Nut, Nylon Insert - 1/2"	2
9	15604	Frame - Rake	1
10	15602	Frame - Rake Top	1
11	15603	Frame - Rake Bottom	1
12	15605	Tine Tube	1
13	15606	Stay Shaft	1
14	15028	Coiled Tines Standard Duty	26
	15029	Coiled Tines Heavy Duty	T.B.A.
15	03020	Hex Head Cap Screw - 1/2"-13X3"	2
18	09016	Washer, Flat - 7/16"	6
19	15047	Nut, Nylon Insert - 7/16"	6
20	15039	Nut, Jam - 1/2"	1
21	03016	Hex Head Cap Screw - 3/8"-16X1"	2
22	15043	Washer, Shake Proof - 1/2"	1
23	02024	Washer, Flat - 3/8"	4
24	03022	Nut, Nylon Insert - 3/8"	2

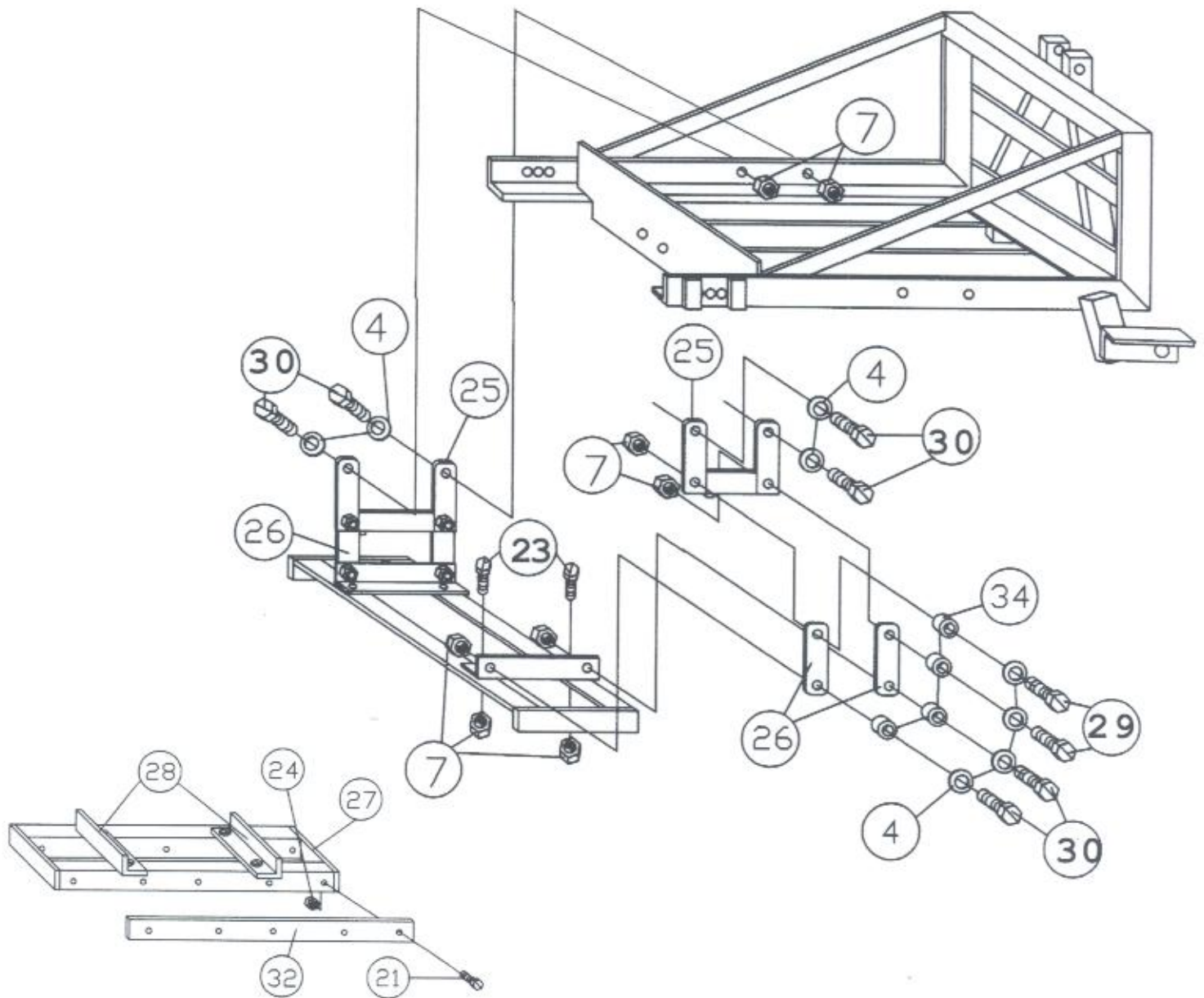
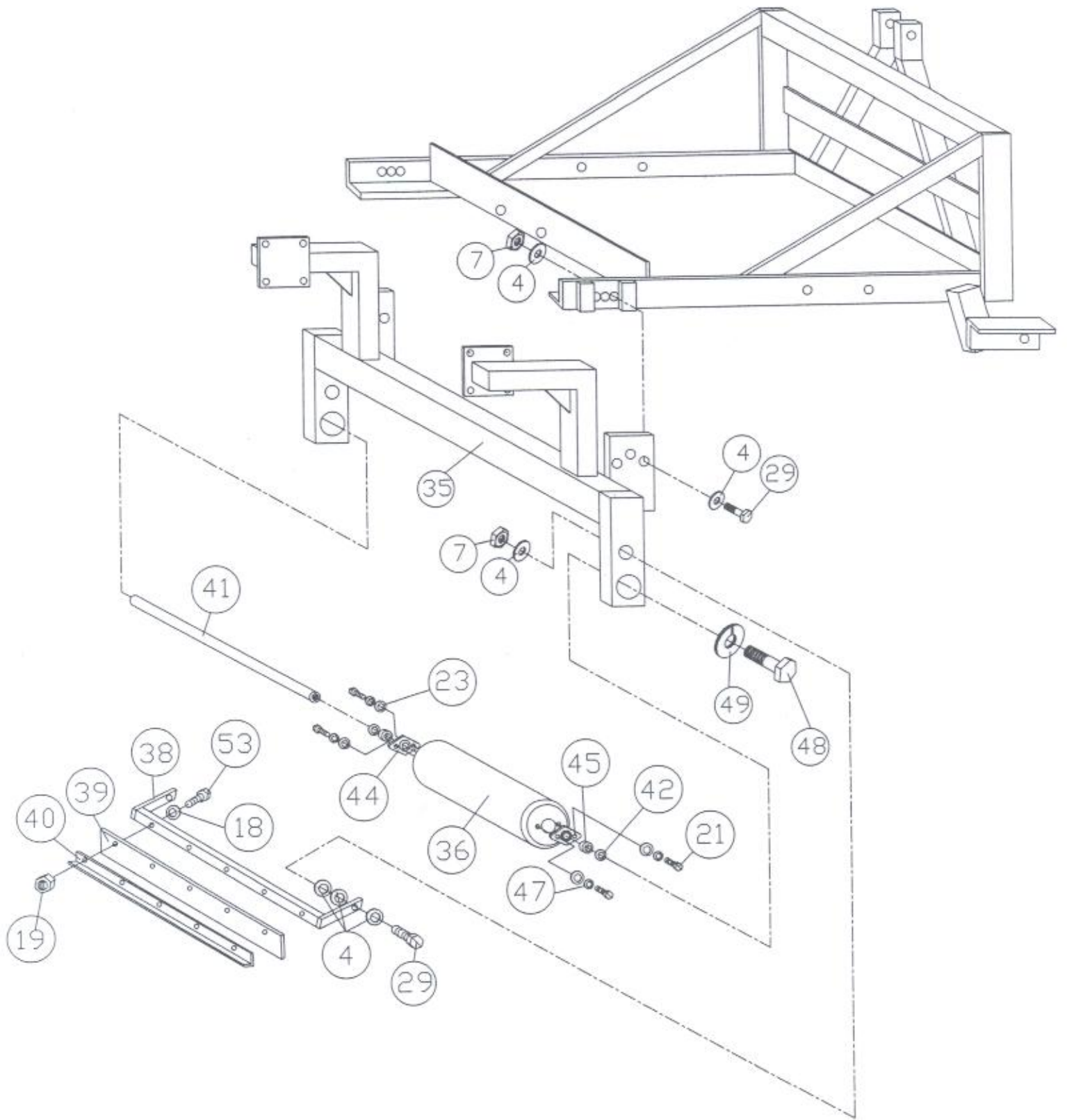


Figure No. 4 - B-BP-4 Leveller Assembly

Item No.	Part No.	Part Description	Qty.
4	03032	Washer, Flat - 1/2"	2
7	03024	Nut, Nylon Insert - 1/2"	2
21	03016	Hex Head Cap Screw - 3/8"-16X1"	2
23	02024	Washer, Flat - 3/8"	4
24	03022	Nut, Nylon Insert - 3/8"	2
25	15008	Leveller Hanger Bar - Left Hand	1
	15009	Leveller Hanger Bar - Right Hand	1
26	15010	Leveller Hanger Arm	4
27	15607	Frame - Leveller	1
28	15011	Leveller Pivot Bracket - Left Hand	1
	15012	Leveller Pivot Bracket - Right Hand	1
29	11225	Hex Head Cap Screw - 1/2"-13X1-3/4"	4
30	11218	Hex Head Cap Screw - 1/2"-13X1-1/2"	4
32	15608	Leveller Blade	2
34	15034	Bushing - I.D. 1/2"	8

Figure #5: Roller & Scraper Assembly

#	Part #	Description	Qty
4	03032	1/2" Washer - Flat	12
7	03024	1/2"-13 Nut - Nylon Insert	4
18	02005	5/16" Washer - Flat	5
19	02004	5/16"-18 Nut - Nylon Insert	5
21	03016	3/8"-16 X 1" Hex Head Cap Screw	4
23	02024	3/8" Washer - Flat	4
29	11225	1/2"-13 X 1.75" Hex Head Cap Screw	2
35	15609	Frame - Roller (B-BP-4)	1
36	08165	Roller	2
38	08166	Frame - Scraper	1
39	08167	Rubber Scraper	1
40	08168	Clamp - Scraper	1
41	08164	Shaft - Roller	1
44	15027	Bearing	2
45	15019	Collar - Outer	2
47	03049	3/8" Washer - Lock	4
48	15041	3/4"-10 X 2" Hex Head Cap Screw	2
49	15042	3/4" Washer - Lock	2
53	03057	5/16"-18 X 1.5" Hex Head Cap Screw	5





B-BP-4 Ballpark-4 Groomer

*Optional
Equipment*

Updated: April 2003

Hose Ends are 3/8" NPT for No.3 Quick Connectors

Hoses are rated at 4000 p.s.i. capacity.

Hydraulic Cylinder is rated at 2500 p.s.i. capacity

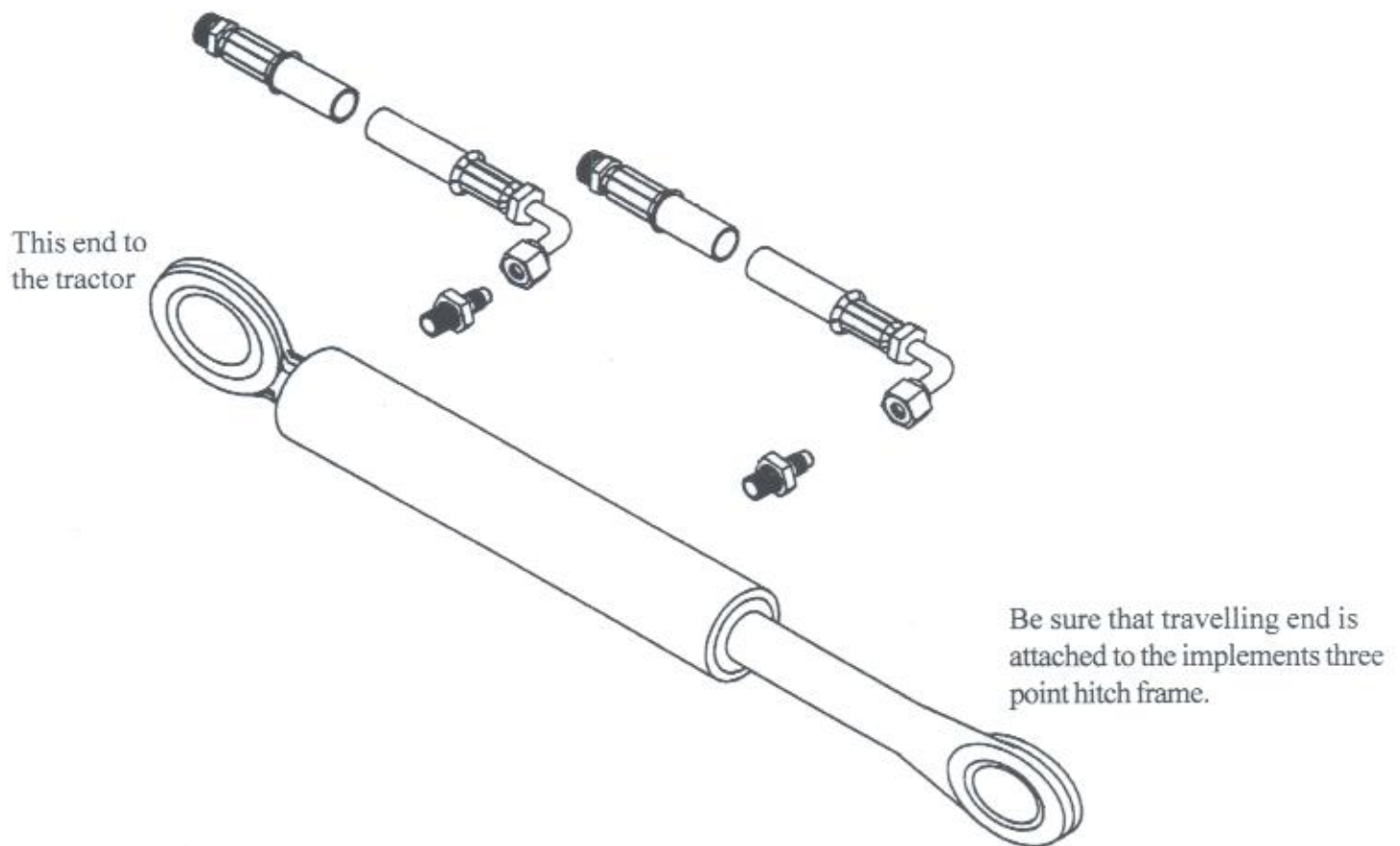
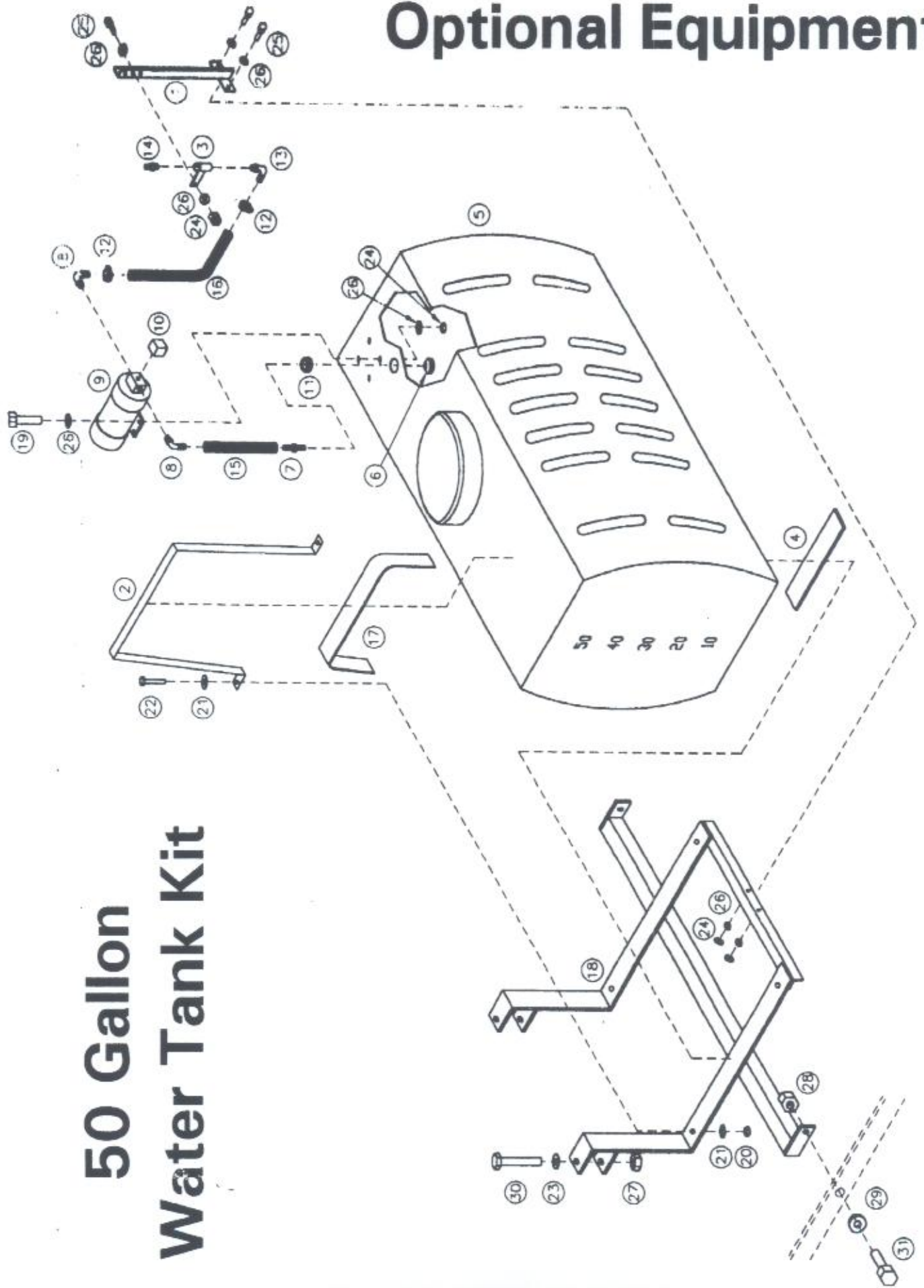


Figure No. 7 - Hydraulic Top Link

Item No.	Part No.	Part Description	Qty.
1	15150	Hydraulic Cylinder	1
2	15151	Hoses - 60" Long (B-BP-4/6& B-DM-6)	2
	08170	Hoses - 108" Long (BA-400/B-SDS)	2
3	15152	NPT to JIC Connectors	2

Optional Equipment



50 Gallon Water Tank Kit

Optional Equipment

Water Tank Kit			
#	Part #	Description	Qty
1	15201	Nozzel Mounting Bracket	1
2	15202	Tank Strap	2
3	15203	Nozzel Coupling Bracket	1
4	15204	Rubber Pad	2
5	15205	Water Tank	1
6	15206	Filter Screen	1
7	15207	Adapter Barb	1
8	15208	90 Degree Elbow	2
9	15209	12 Volt Pump	1
10	15210	Pressure Switch	1
11	15211	Grommet	1
12	15212	Clamp	2
13	15213	90 degree Elbow	1
14	15214	Nozzel 4.0 gallons per minute	1
15	15215	Hose - 1/2" X 24'	1
16	15216	Hose - 1/2" X 28'	1
17	15217	Rubber Pad	2
18	15200	Frame - Water Tank B-BP-6	1
19	01019	1/4" -20 X 1-1/2" Hex Head Cap Screw	4
20	02004	5/16" -18 Nut, Nylon Insert	4
21	02005	5/16" Washer, Flat	8
22	02007	5/16" -18 X 2-1/4" hex Head Cap Screw	4
23	02024	3/8" Washer, Flat	2
24	02066	1/4" -20 Nut, Nylon Insert	3
25	03004	1/4" -20 X 1" Hex Head Cap Screw	3
26	03007	1/4" Washer, Flat	10
27	03022	3/8" -16 Nut, Nylon Insert	2
28	03024	1/2" -13 Nut, Nylon Insert	2
29	03032	1/2" Washer, Flat	2
30	11211	3/8" -16 X 3" Hex Head Cap Screw	2
31	11225	1/2" -13 X 1-3/4" Hex Head Cap Screw	2