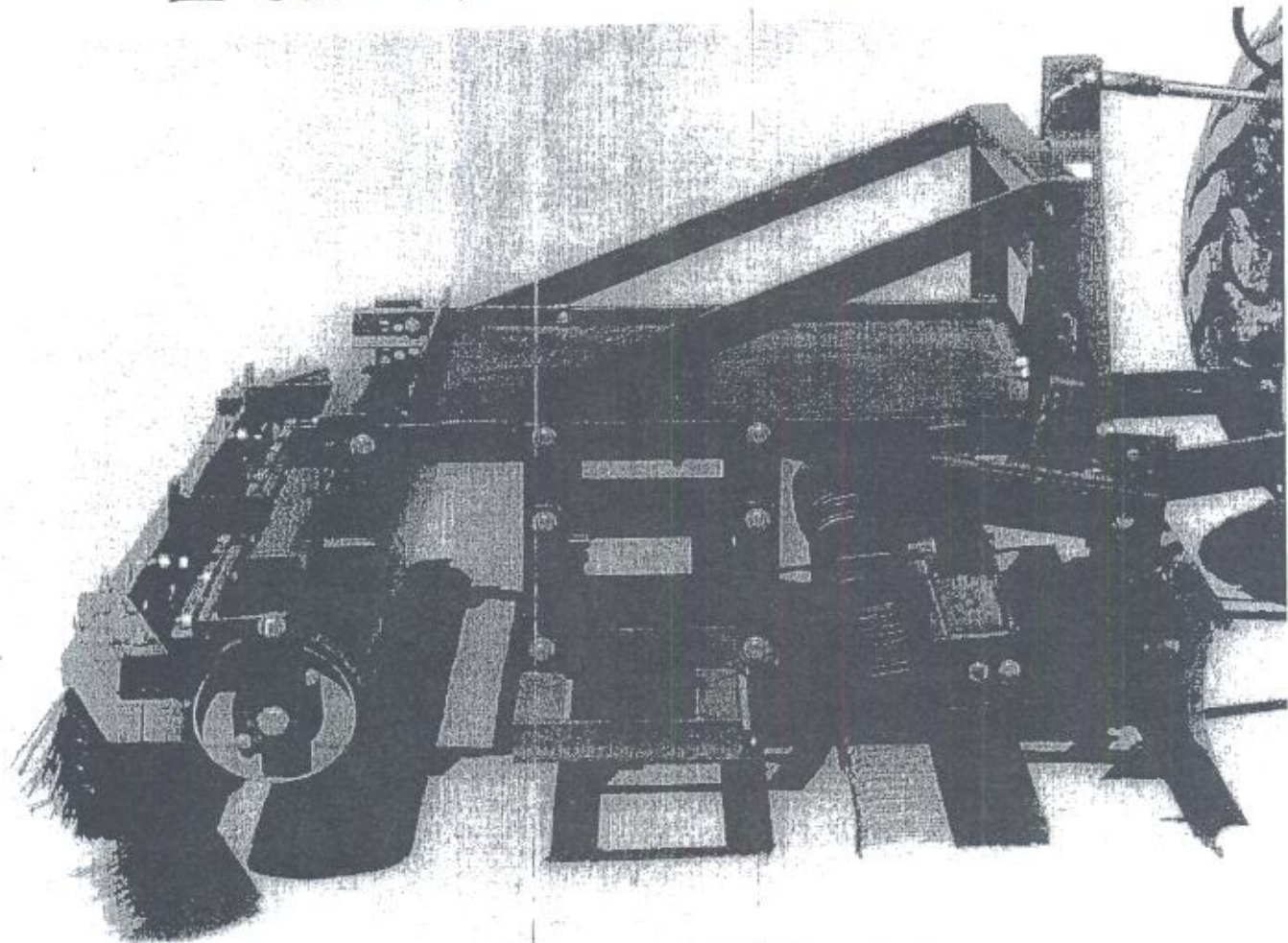


BANNERMAN

Ballpark-6

*Operation &
Parts Manual*



Updated November 2000

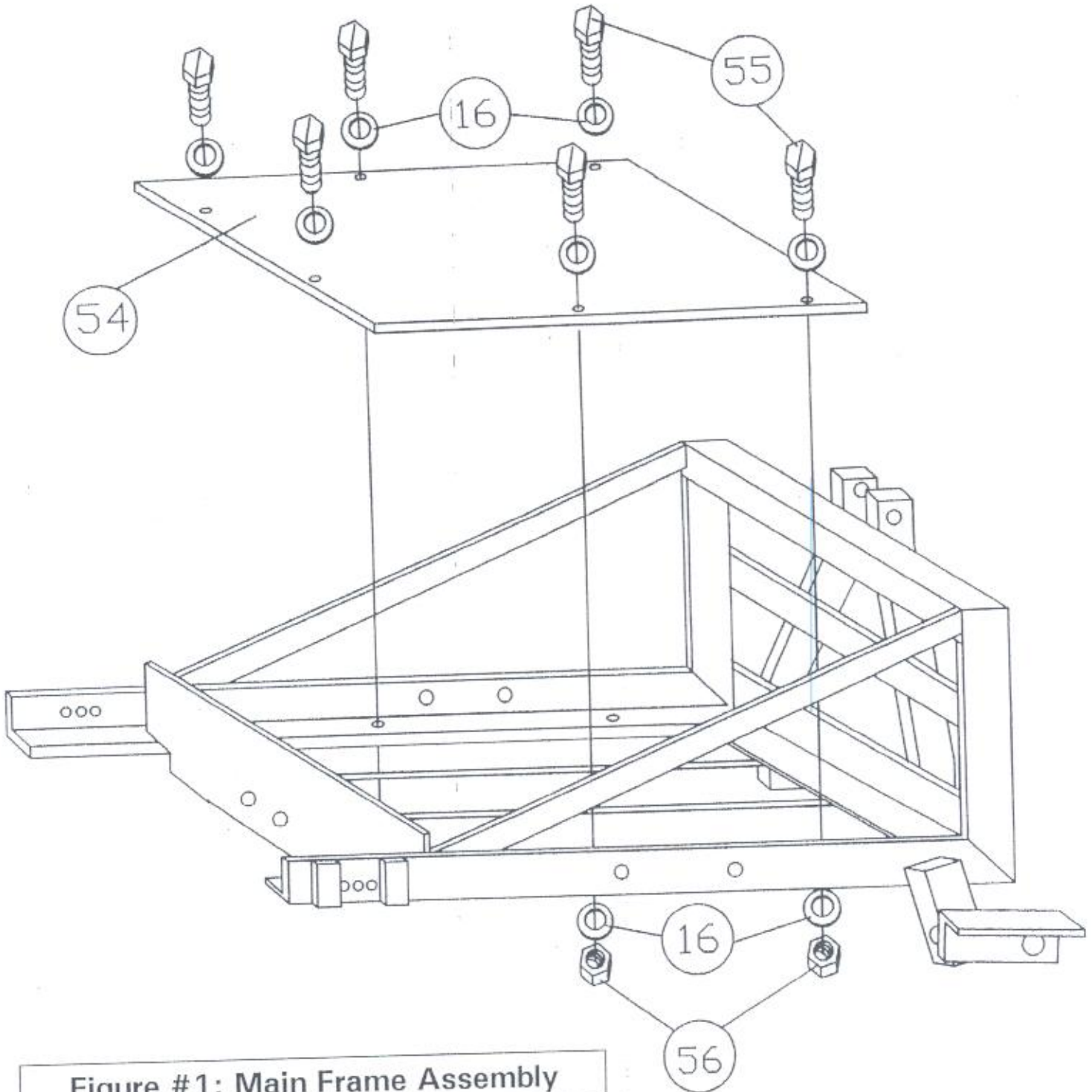
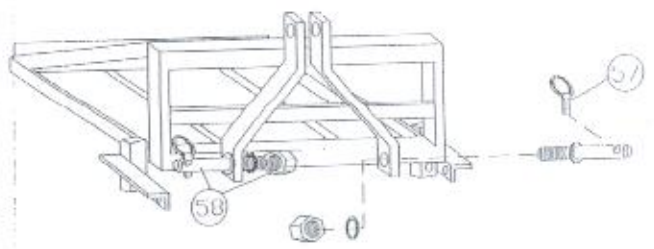


Figure #1: Main Frame Assembly

#	Part #	Description	Qty.
16	02005	5/16" Washer, Flat	12
54	15023	Platform	1
55	02007	5/16" - 16 X 1" Hex Head Cap Screw	6
56	02004	5/16" Nut, Nylon Insert	6
57	15045	Pin, Lynch	2
58	15044	Pin, Hitch (includes nut & lock washer)	2



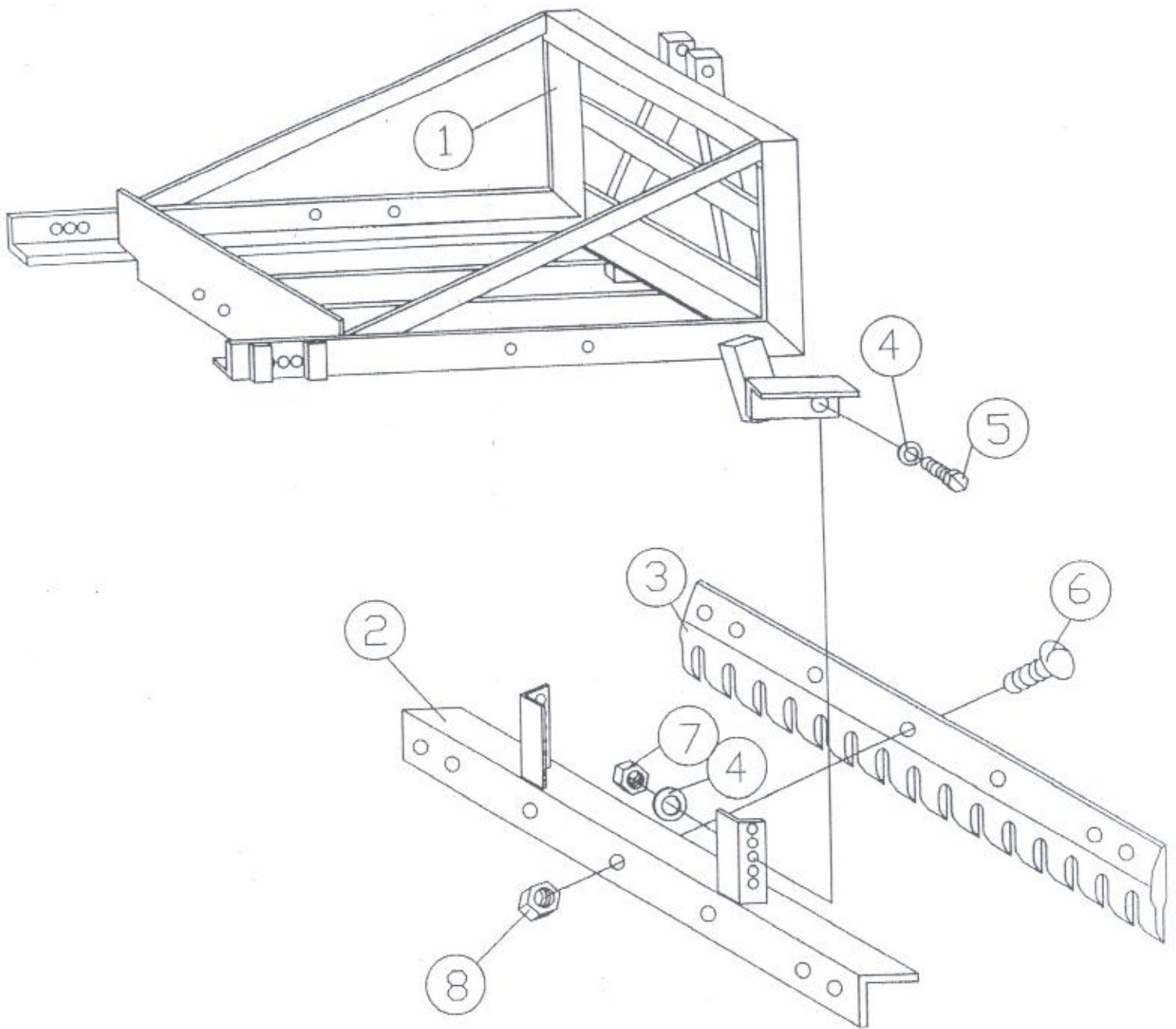


Figure #2: Ripper Blade Assembly

#	Part #	Description	Qty
1	15001	Frame - Main	1
2	15022	Frame - Ripper Blade	1
3	15031	Ripper Blade	1
4	03032	1/2" Washer, Flat	4
5	11225	1/2" -13 X 1-3/4" Hex Head Cap Screw	2
6	15032	5/8" -11 X 2" Blade Bolts	6
7	03024	1/2" Nut, Nylon Insert	2
8	15033	5/8" Nut, Running	6

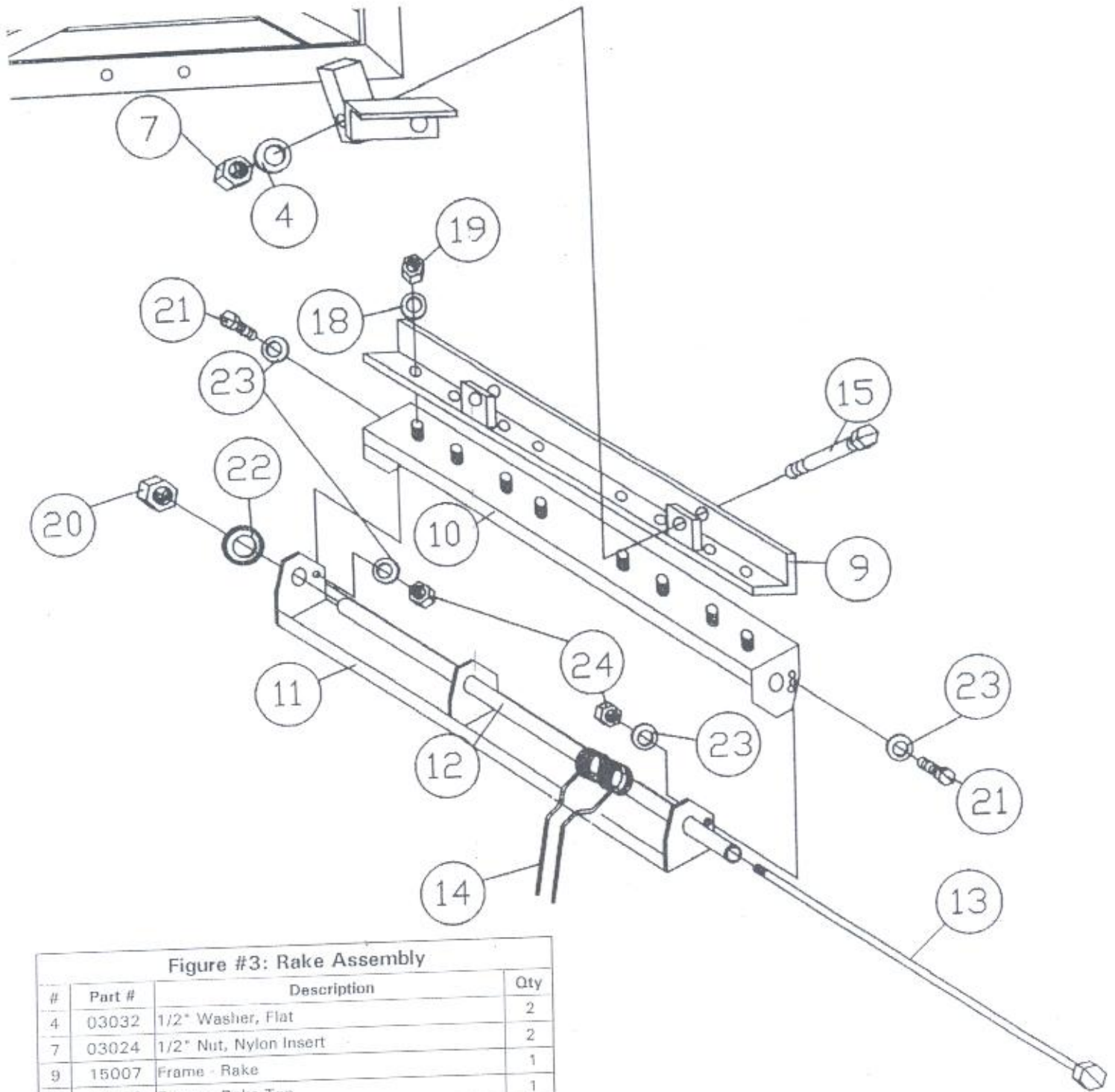


Figure #3: Rake Assembly

#	Part #	Description	Qty
4	03032	1/2" Washer, Flat	2
7	03024	1/2" Nut, Nylon Insert	2
9	15007	Frame - Rake	1
10	15002	Frame - Rake Top	1
11	15006	Frame - Rake Bottom	1
12	15004	Tine Tube	1
13	15003	Stay Shaft	1
14	15028	Rake Tine	38
15	03020	1/2" - 13 X 3" Hex Head Cap Screw	2
18	09016	7/16" Washer, Flat	8
19	15047	7/16" Nut, Nylon Insert	8
20	15039	1/2" -20 Nut, Jam	1
21	03016	3/8" -16 X 1" Hex Head Cap Screw	2
22	15043	1/2" Washer, Shake Proof	1
23	02024	3/8" Washer, Flat	4
24	03022	3/8" Nut, Nylon Insert	2

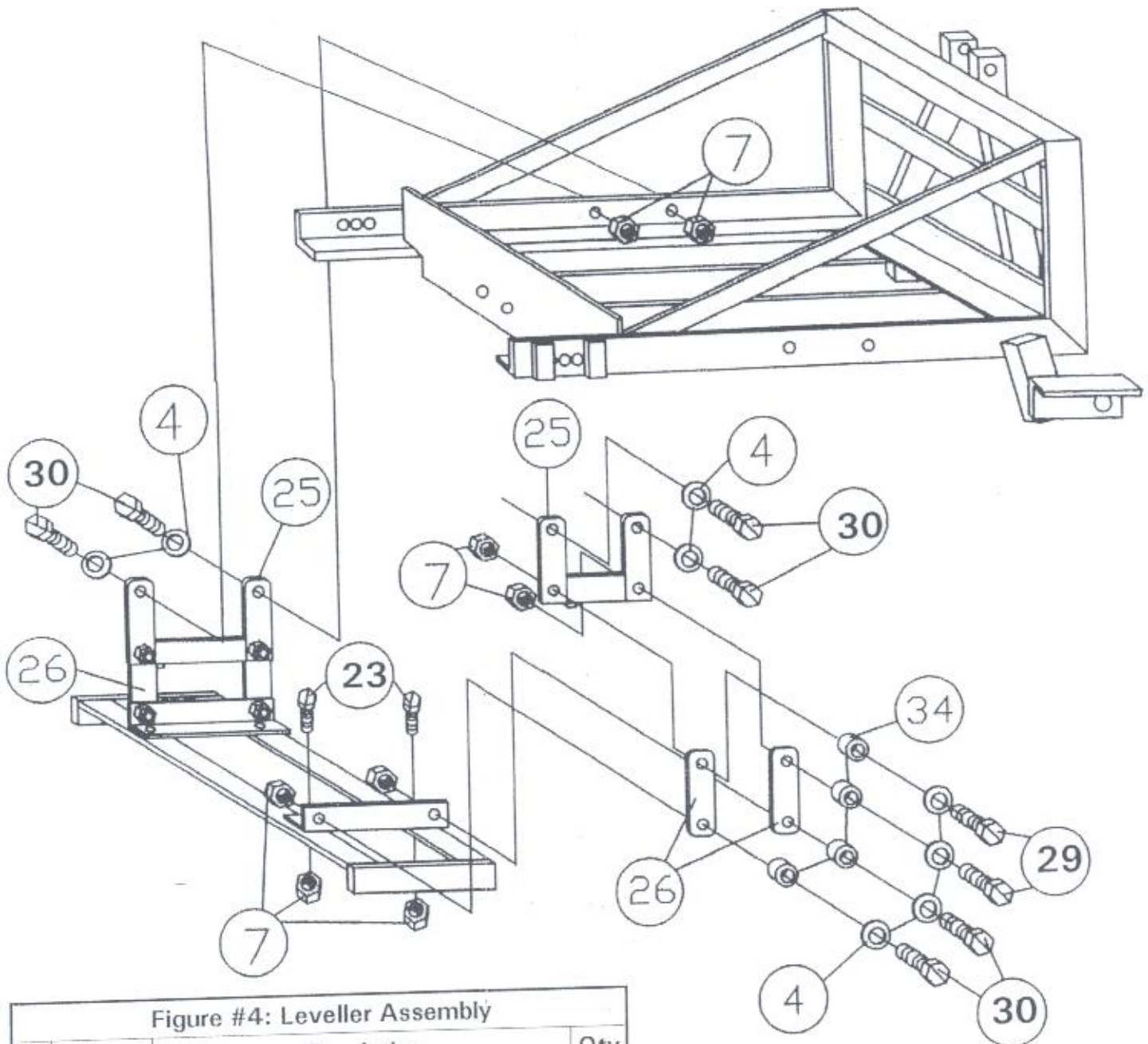
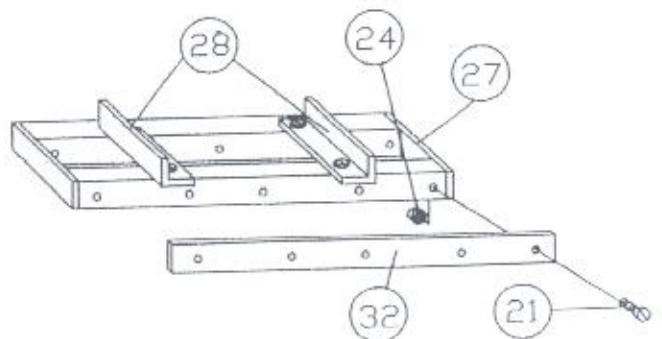


Figure #4: Leveller Assembly

#	Part #	Description	Qty
4	03032	1/2" Washer - Flat	12
7	02004	1/2" Nut - Nylon Insert	16
21	03016	3/8" -16 X1" Hex Head Cap Screw	10
23	15113	1/2" -13 X 1-1/4 Hex Head Cap Screw	4
24	03022	3/8" Nut - Nylon Insert	10
25	15008	Leveller Hanger Bar - Left Hand	2
25	15009	Leveller Hanger Bar - Right Hand	2
26	15010	Leveller Hanger Arm - Lower	4
27	15013	Frame - Leveller	1
28	15011	Leveller Pivot Bracket - Left Hand	1
28	15012	Leveller Pivot Bracket - Right Hand	1
29	11225	1/2" -13 X 1-3/4" Hex Head Cap Screw	4
30	11218	1/2" -13 X 1-1/2" Hex Head Cap Screw	4
32	15014	Leveller Blade	2
34	15034	1/2" I.D. Bushing	8



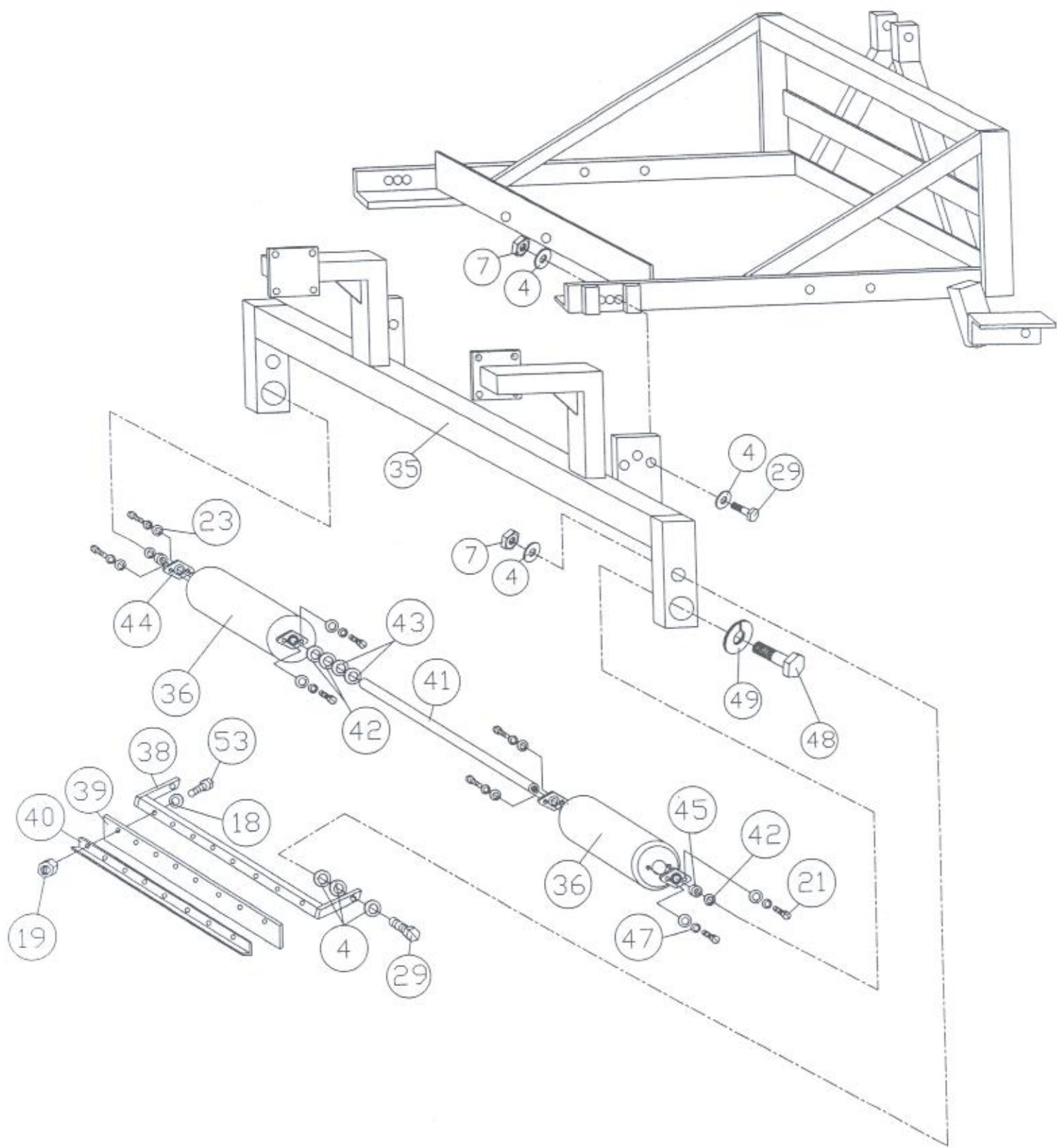


Figure #5: Roller & Scraper Assembly

#	Part #	Description	Qty
4	03032	1/2" Washer - Flat	12
7	03024	1/2"-13 Nut - Nylon Insert	4
18	02005	5/16" Washer - Flat	8
19	02004	5/16"-18 Nut - Nylon Insert	8
21	03016	3/8"-16 X 1" Hex Head Cap Screw	8
23	02024	3/8" Washer - Flat	8
29	11225	1/2"-13 X 1.75" Hex Head Cap Screw	2
35	15015	Frame - Roller	1
36	15026	Roller	2
38	15016	Frame - Scraper	1
39	15024	Rubber Scraper	1
40	15017	Clamp - Scraper	1
41	15025	Shaft - Roller	1
42	15040	Spacer - Thin (inner)	3
43	15048	Spacer - Thick (inner)	2
44	15027	Bearing	4
45	15019	Collar - Outer	2
47	03049	3/8" Washer - Lock	8
48	15041	3/4"-10 X 2" Hex Head Cap Screw	2
49	15042	3/4" Washer - Lock	2
53	03057	5/16"-18 X 1.5" Hex Head Cap Screw	8

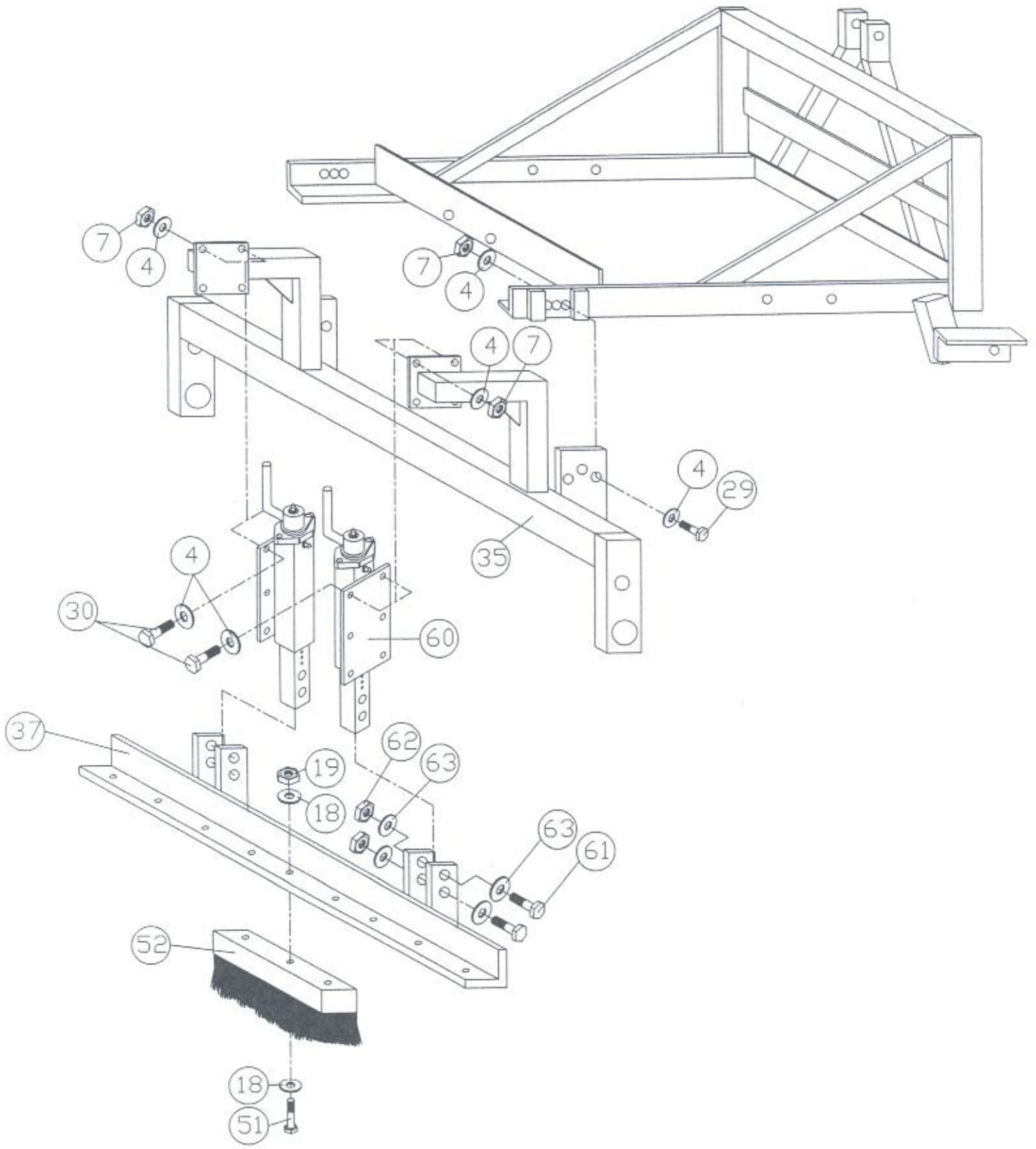
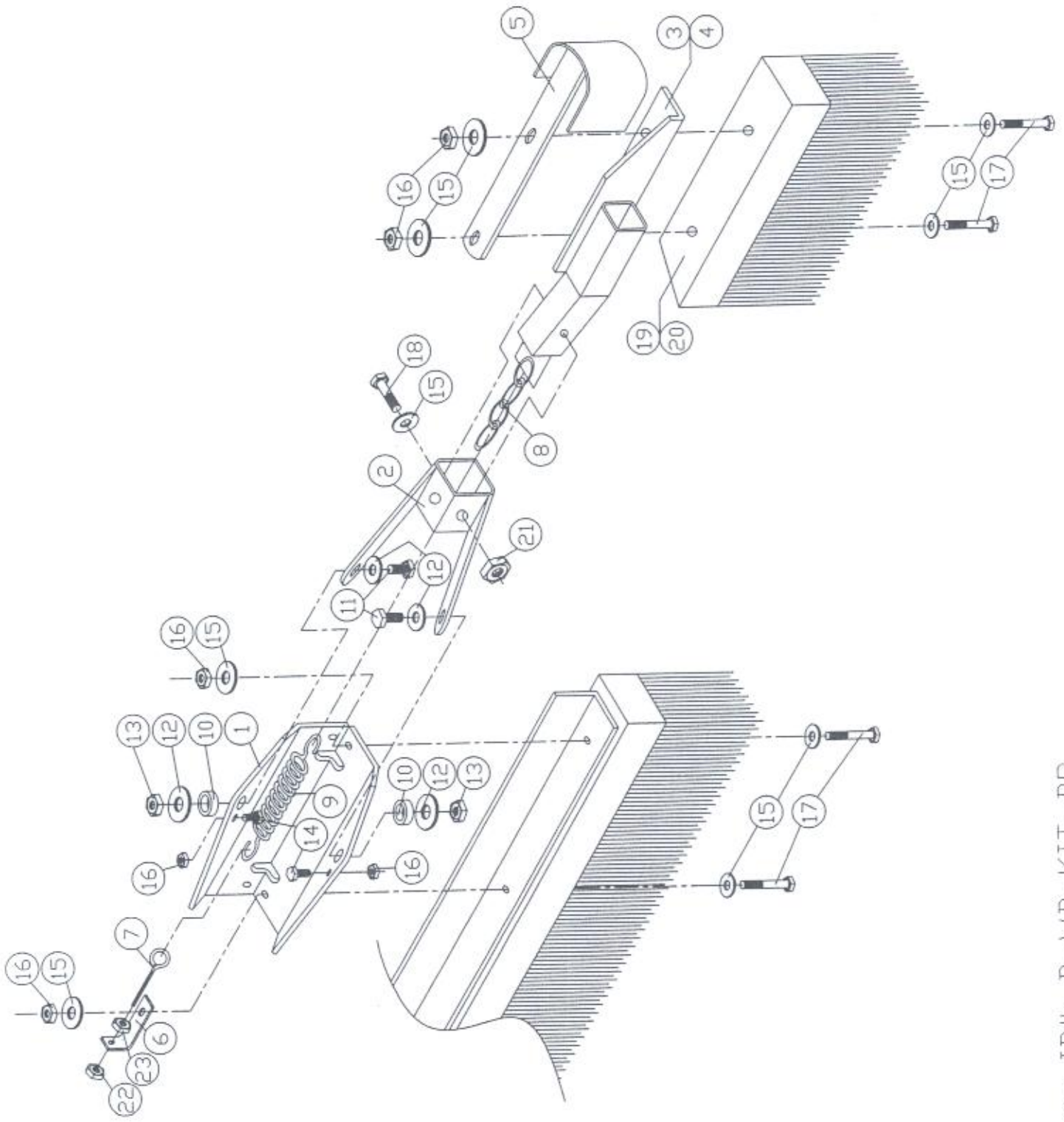


Figure #6: Brush Assembly

#	Part #	Description	Qty
4	03032	1/2" Washer - Flat	6
7	03024	1/2"-13 Nut - Nylon Insert	2
18	02024	3/8" Washer - Flat	18
19	03022	3/8"-16 Nut - Nylon Insert	9
29	11225	1/2"-13 X 1.75" Hex Head Cap Screw	2
30	11218	1/2"-13 X 1.5" Hex Head Cap Screw	8
35	15015	Frame - Roller	1
37	15071	Frame - Brush	1
51	11211	3/8"-16 X 3" Hex Head Cap Screw	9
52	15030	Brush	2
60	15103	Jack Screw Assembly	2
61	15111	5/8"-11 X 3" Hex Head Cap Screw	4
62	09024	5/8"-11 Nut - Nylon Insert	4
63	04037	5/8" Washer - Flat	8

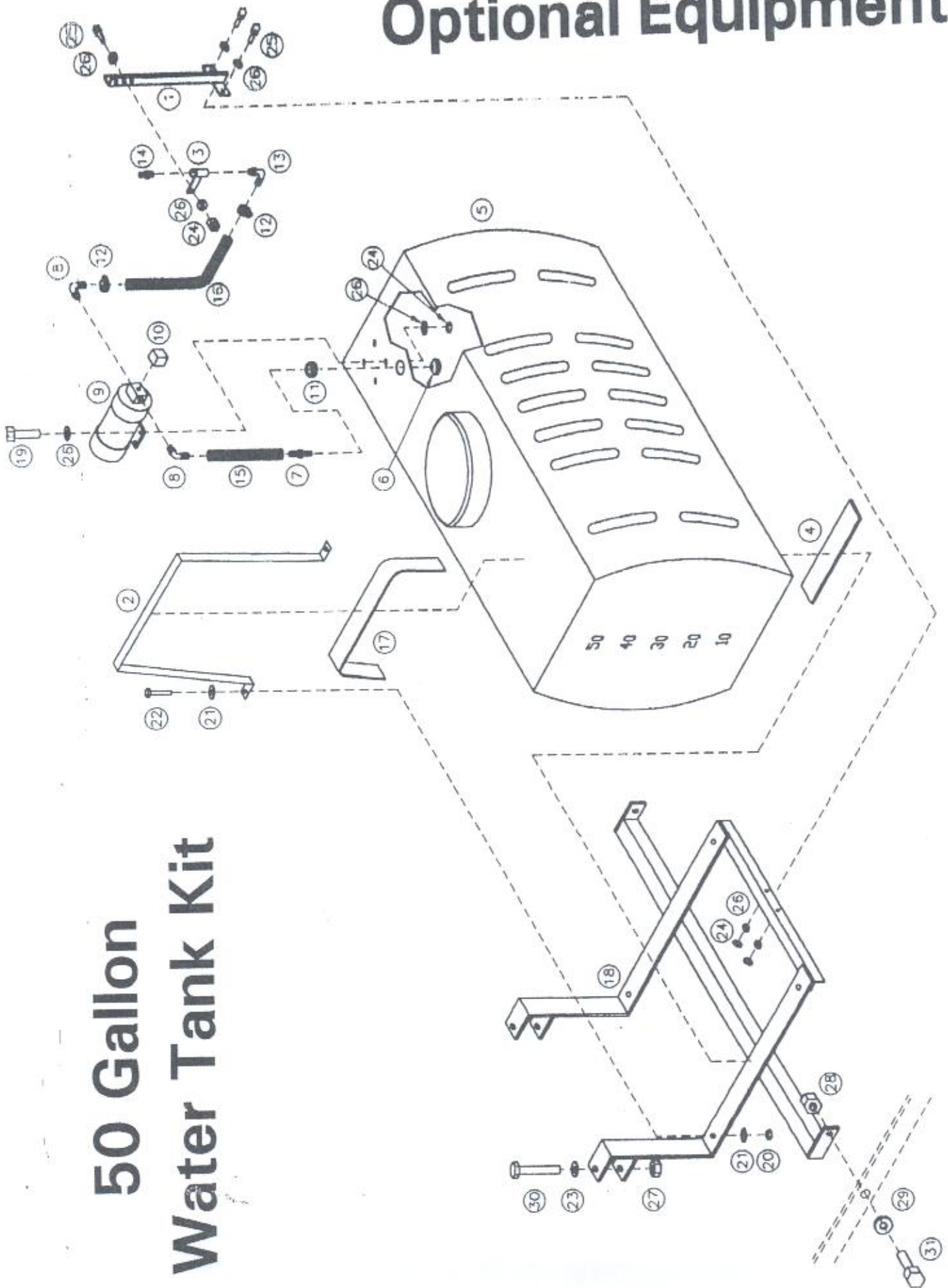


Drawing ID#: B-WB-KIT-BP
Updated: January 2010

SWING AWAY WING BRUSH KIT

tem No	Part No.	Part Description	Qty.
		Brush Plate	2
1	15120	Pivot Plate	2
2	15121	Brush Bracket (L)	1
3	15061	Brush Bracket (R)	1
4	15059	Nose Guard	2
5	15122	Eye Bolt Bracket	2
6	15123	Eye Bolt Bracket	2
7	03064	Chain - 4 Link	2
8	15124	Spring - W.B.	2
9	15125	Bushing, 1/2" ID	4
10	15034	Bolt, 1/2"-13 X 1.5" HHC	4
11	11218	Washer, 1/2" SAE	8
12	03032	Nut, Nylon Insert 1/2"-13	4
13	03024	Bolt, 3/8"-18 X 1" HHC	4
14	03016	Washer, 3/8" SAE	20
15	02024	Nut, Nylon Insert 3/8"-16	12
16	03022	Bolt, 3/8"-18 X 3.25" HHC	8
17	11212	Bolt, 3/8"-18 X 2.5" HHC	2
18	11210	Brush (L)	1
19	15053	Brush (R)	1
20	15057	Nut, Jam 3/8"-16	1
21	03062	Nut, Nylon Insert 5/16"-18	2
22	02004	Nut, Free Running 5/16"-18	2
23	08078		

Optional Equipment



50 Gallon Water Tank Kit