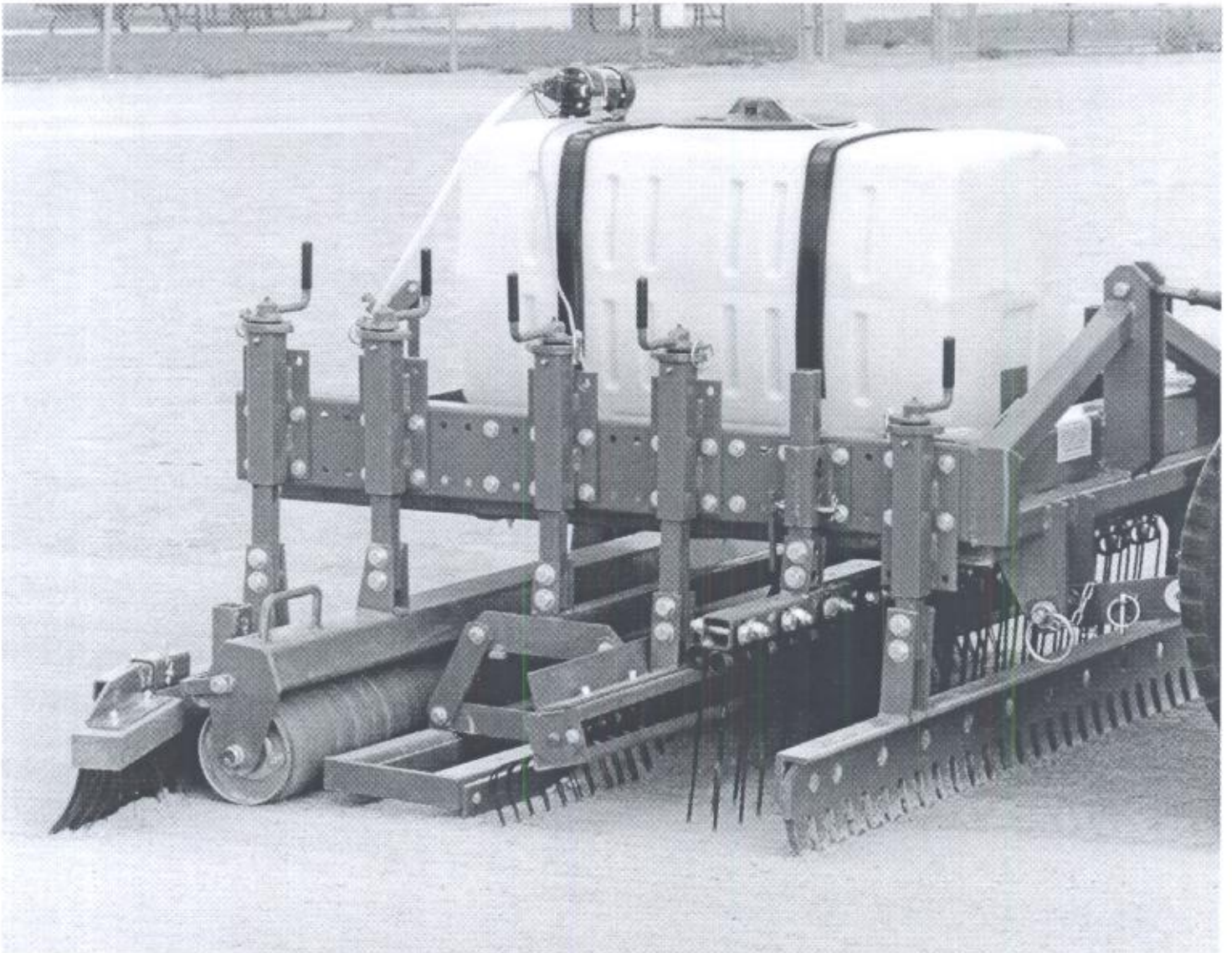
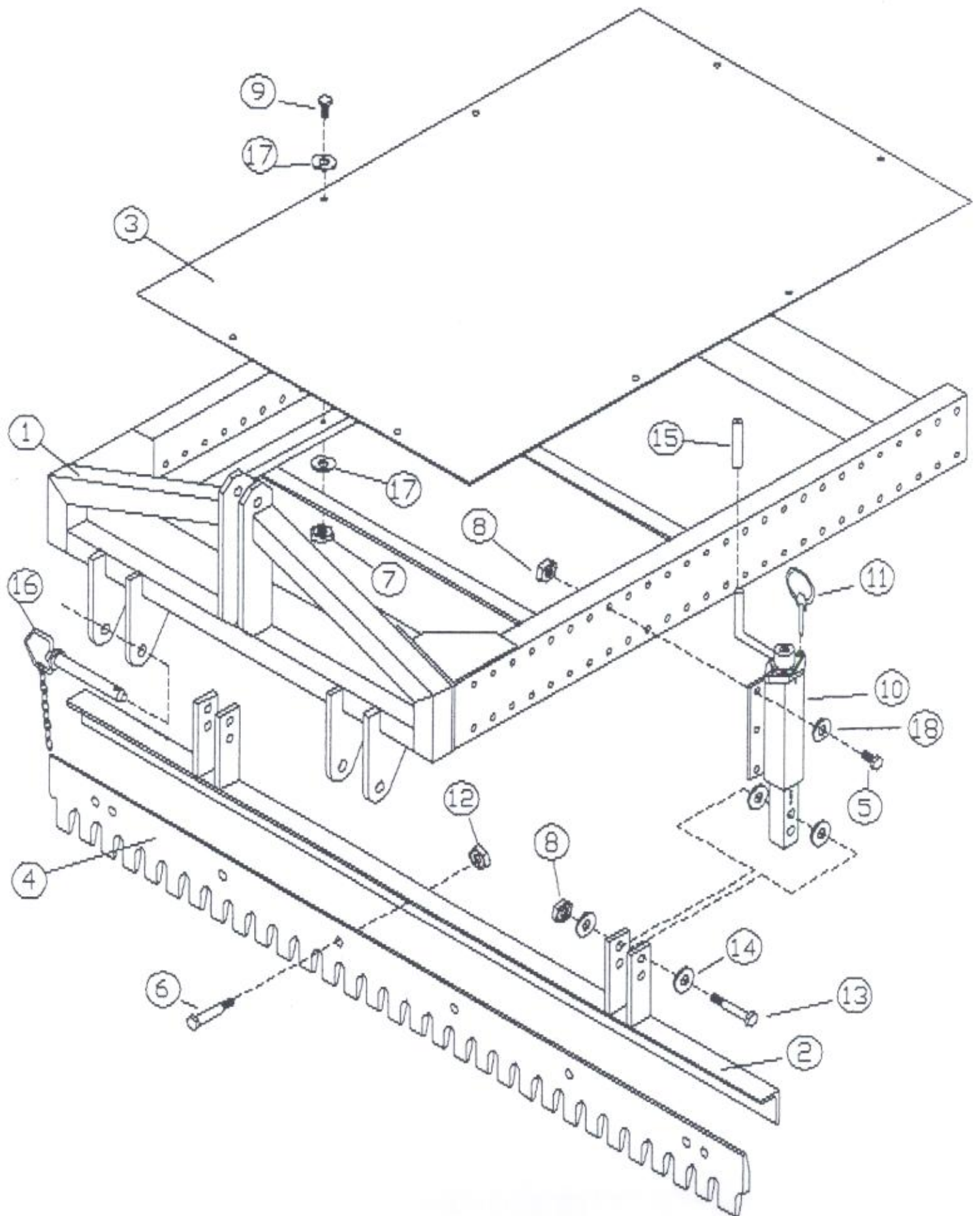


B-DM-6 Diamond Master[®]

Parts Manual & Accessories



B-DM-6 Diamond Master[®] - Main Frame

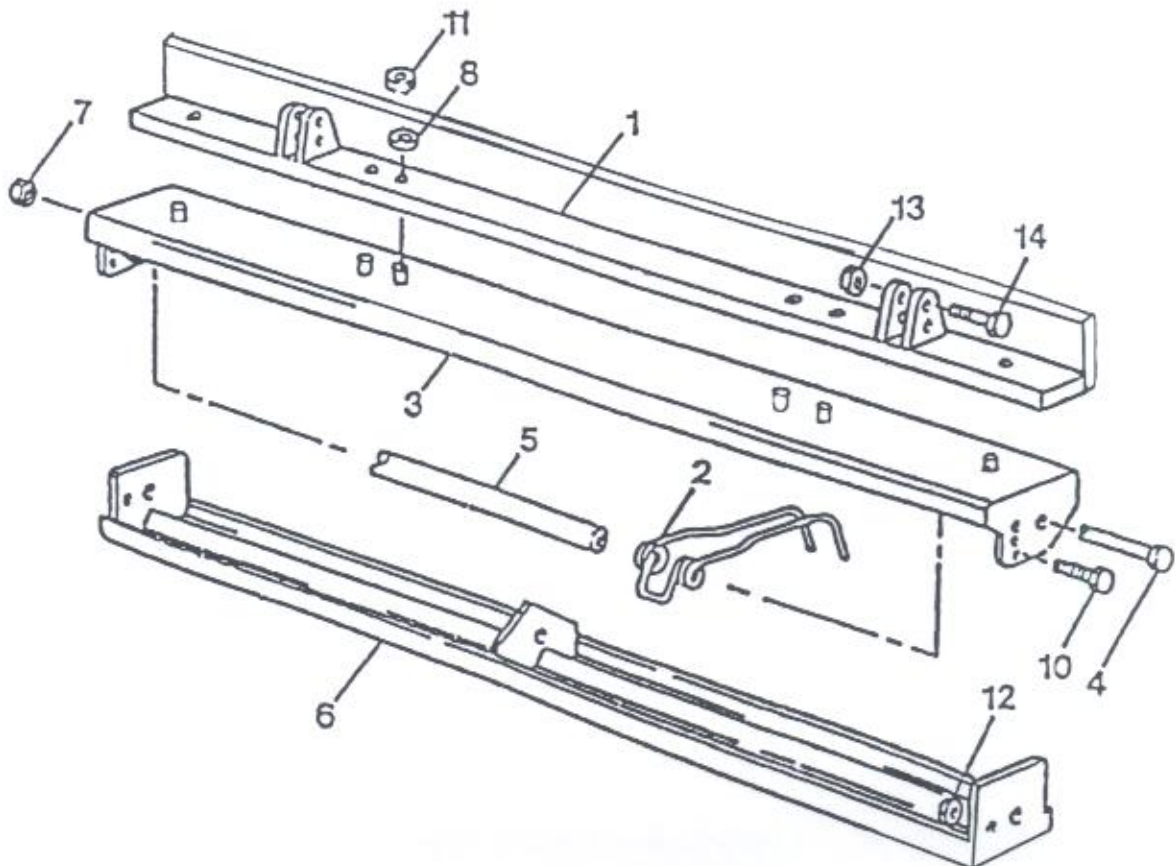


B-DM-6 Diamond Master[®] - Main Frame

	Part #	Part Description	Qty.
1	15100	Frame, Main	1
2	15101	Frame, Ripper Blade	1
3	15102	Platform	1
4	15031	Ripper Blade	1
5	15113	Bolt, HHC 1/2" -13 X 1-1/4"	40
6	15032	Bolt, Blade (Comes with #12 Nut)	6
7	02004	Nut, Nylon Insert - 5/16" -18	8
8	03024	Nut, Nylon Insert - 1/2" -13	40
9	03057	Bolt, HHC - 5/16" -18 X 1"	8
10	15103	Screw Jack Assembly	10
11	15045	Pin, Lynch	10
12	15033	Nut, Hex - 5/8" -11	6
13	15110	Bolt, Shear	4
14	04037	Washer, Flat - 5/8"	32
15	15112	Grip, Hand	10
16	15116	Pin, Towing	2
17	02005	Washer, Flat - 5/16"	16
18	03032	Washer, Flat - 1/2"	40

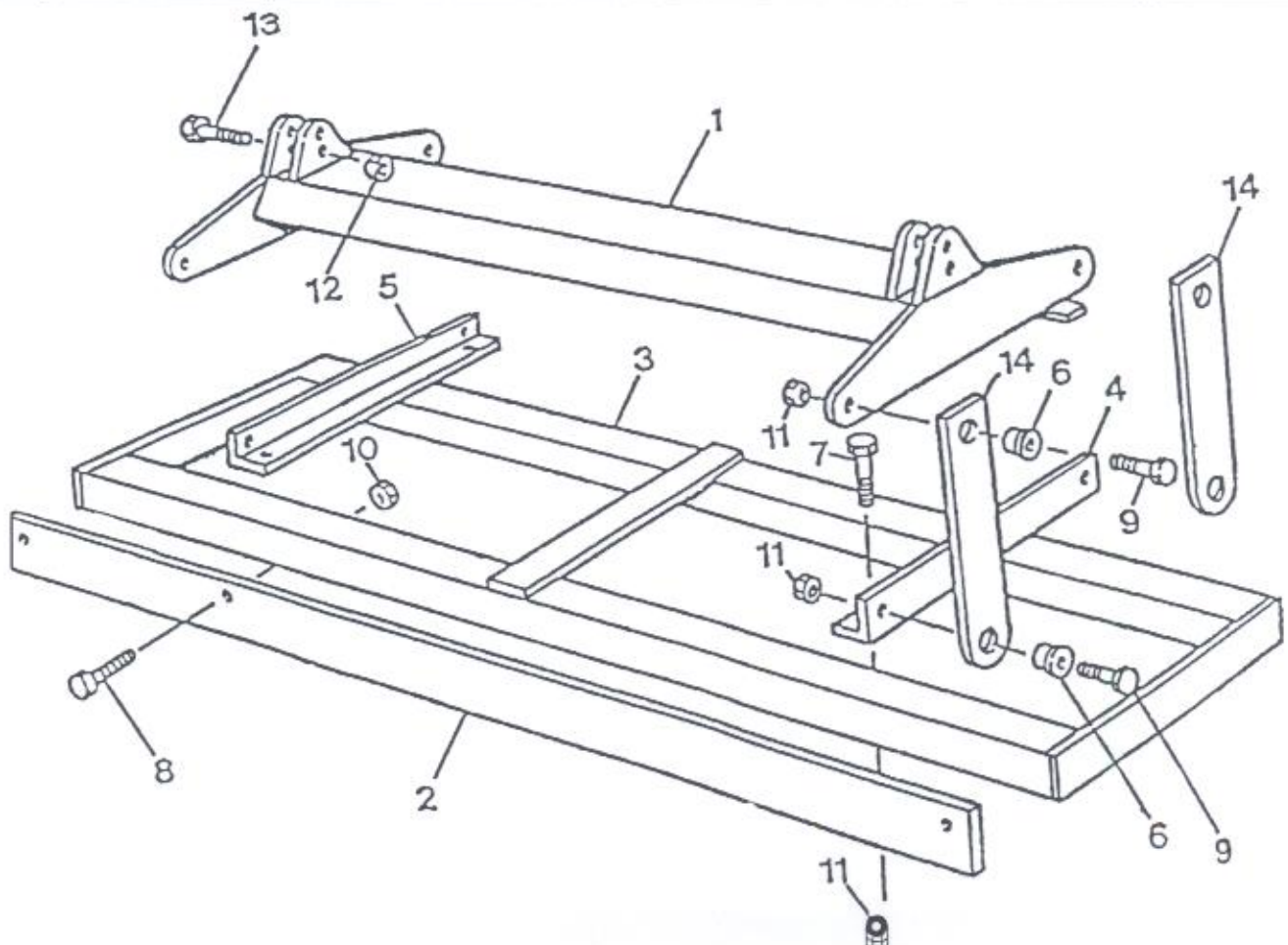
B-DM-6 Diamond Master[®] - Rake Assembly

	Part #	Part Description	Qty.
1	15105	Rake Frame Angle	1
2	15028	Coiled Tines - Standard	38
	15029	Coiled Tines - Heavy Duty	26
3	15002	Rake Frame Top	1
4	15003	Rod Tine Tube	1
5	15004	Tine Tube	1
6	15006	Rake Frame Bottom	1
7	15039	Nut, Jam - 1/2" -20	1
8	09016	Washer, Flat - 7/16"	8
9			
10	03016	Screw, HHC - 3/8" -16 X1	2
11	15047	Nut, Nylon Insert - 7/16 -14	8
12	03022	Nut, Nylon Insert - 3/8 -16	2
13	04038	Nut, Nylon Insert - 5/8 -18	4
14	15111	Screw, HHC - 5/8" -18 X 1-1/2"	4



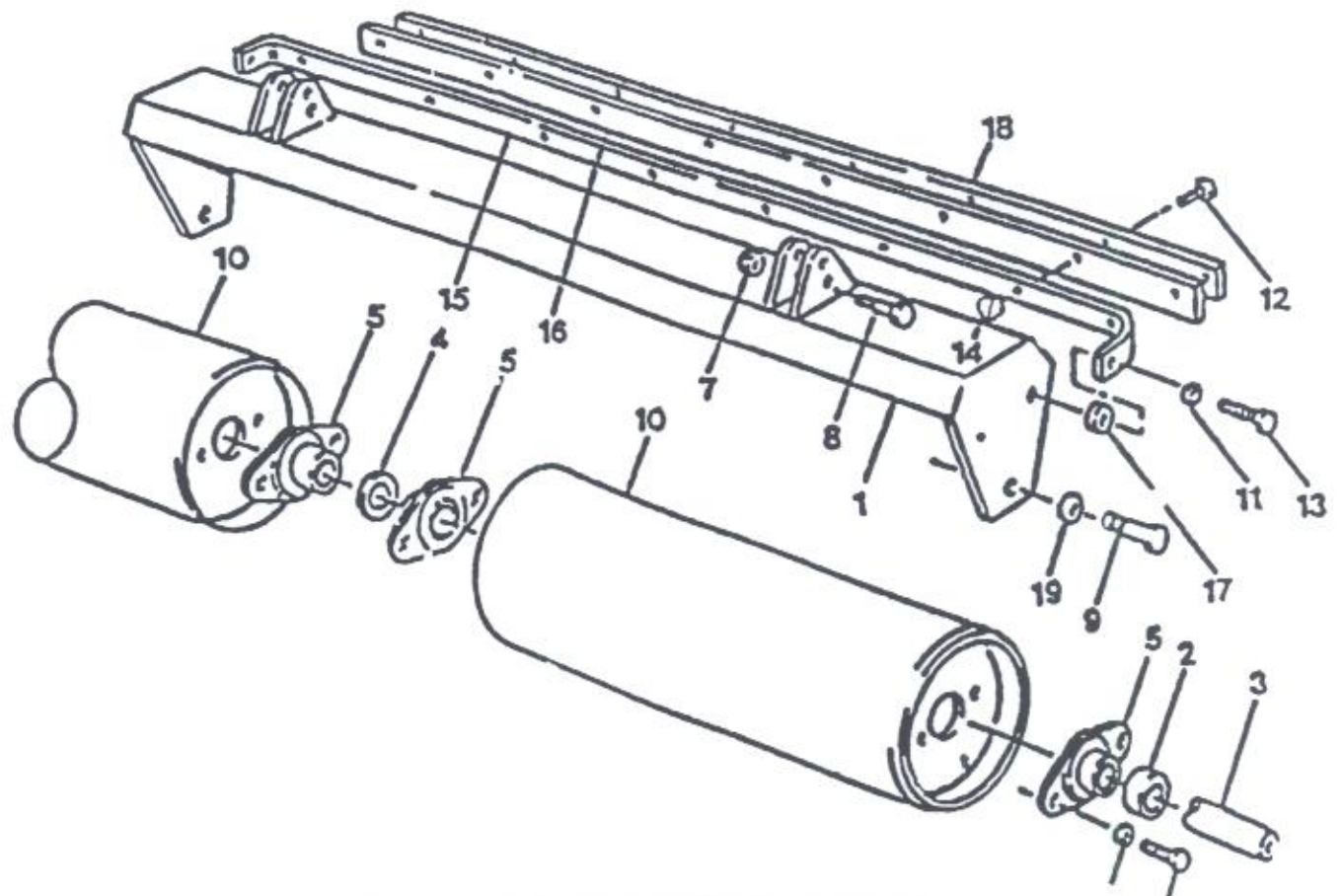
B-DM-6 Diamond Master[®] - Leveller Assembly

	Part #	Part Description	Qty.
1	15104	Leveller Suspension Frame	1
2	15014	Leveller Blade	2
3	15013	Leveller Frame	1
4	15012	Leveller Pivot Right Hand	1
5	15011	Leveller Pivot Left Hand	1
6	15034	Ferrule	8
7	11218	Screw, HHC - 1/2" -13 X 1-1/2"	4
8	03016	Screw, HHC - 3/8" -16 X 1"	10
9	11225	Screw, HHC - 1/2" -13 X 1-3/4"	8
10	03022	Nut, Nylon Insert - 3/8" -16	10
11	03024	Nut, Nylon Insert - 1/2" -13	14
12	04038	Nut, Nylon Insert - 5/8" -18	4
13	15111	Screw, HHC - 5/8" -18 X 3-1/2"	4
14	15010	Parallel Links	4



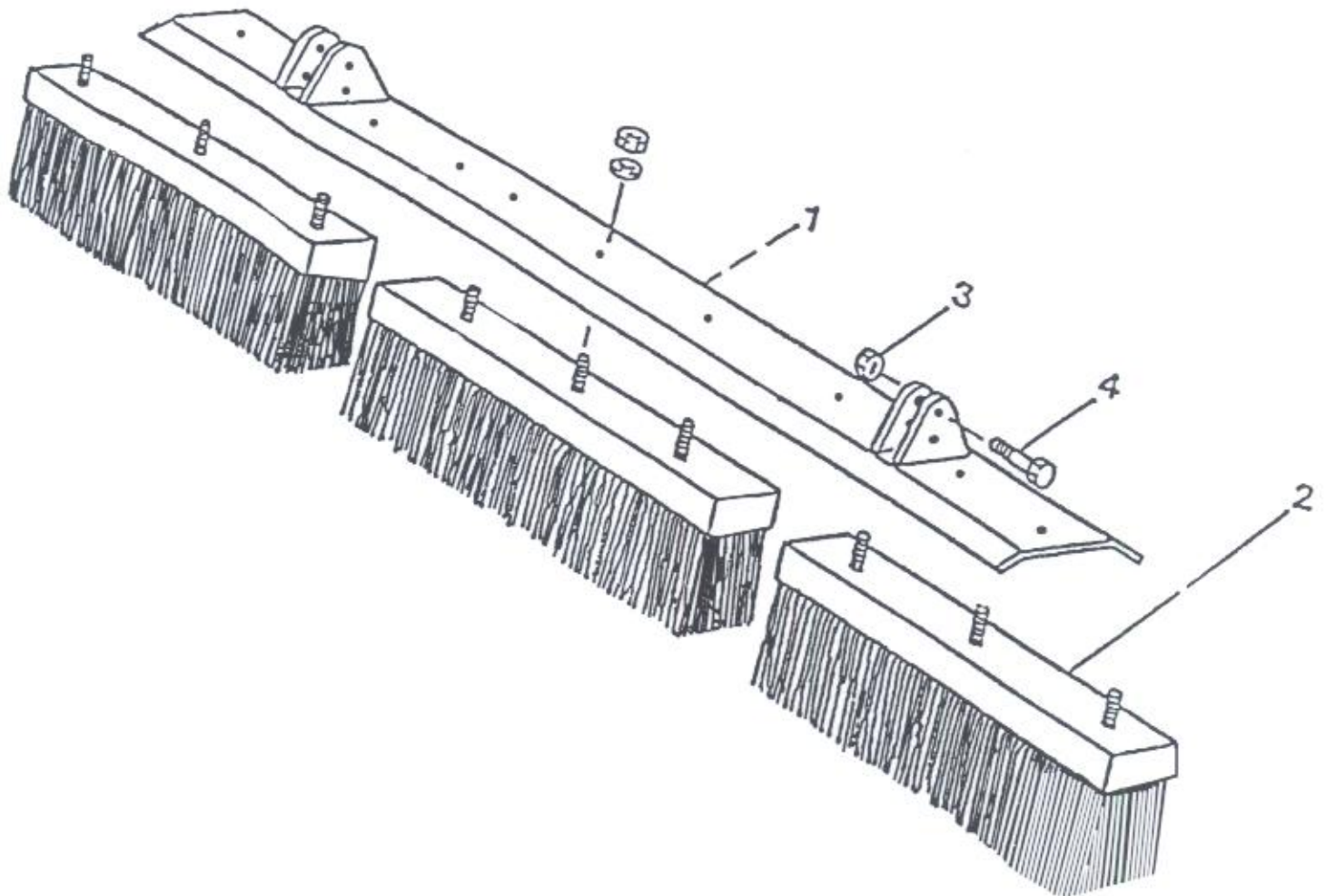
B-DM-6 Diamond Master[®] - Roller Assembly

	Part #	Part Description	Qty.
1	15107	Roller Frame	1
2	15019	Roller Shaft Spacer	2
3	15025	Roller Shaft	1
4	02014-2	Washer	1
	15040	Washer Steel Spacer	8
5	15027	Flange Bearing	4
6	03016	Screw, HHC - 3/8" -16 X 1"	8
7	04038	Nut, Nylon Insert - 5/8" -18	4
8	15111	Screw, HHC - 5/18" - 18 X 3-1/2"	4
9	15041	Screw, HHC - 3/4" -10 X2	2
10	15026	Roller Assembly (1/2)	2
11	03032	Washer, Flat - 1/2" SAE	2
12	03057	Screw, HHC - 5/16" -18 X 1-1/2"	8
13	11234	Screw, HHC - 1/2" -13 X 2"	2
14	02004	Nut, Nylon Insert - 5/16" -18	8
15	15016	Scraper, Framer	1
16	15024	Scraper, Rubber	1
17	03032	Washer, Flat - 1/2" SAE	6
18	15017	Scraper, Clamp	1
19	15042	Washer, Lock - 3/4"	2
20	03049	Washer, Lock - 3/8"	8
21	02024	Washer, Flat - 3/8"	8



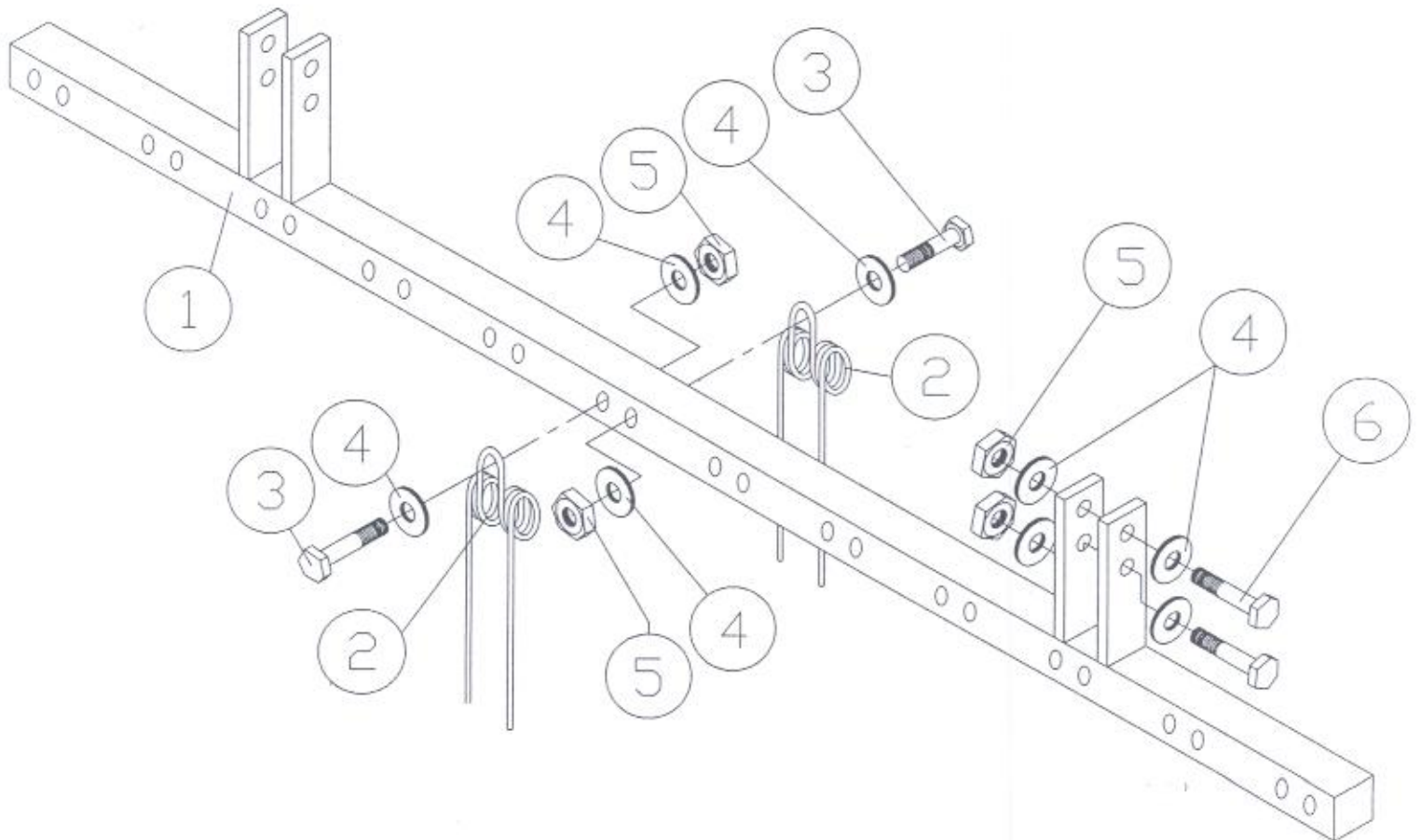
B-DM-6 Diamond Master[®] - Brush Assembly

	Part #	Part Description	Qty.
1	15108	Frame Brush	1
2	15030	Brush	3
3	04038	Nut, Nylon Insert - 5/8" -18	4
4	15111	Screw, HHC - 5/8" -18 X 3-1/2"	4
5	15046	Screw, HHC - 3/8" -16 X 2-3/4"	9
6	02024	Washer, flat - 3/8" SAE	18
7	03022	Nut, nylon Insert - 3/8" -16	9



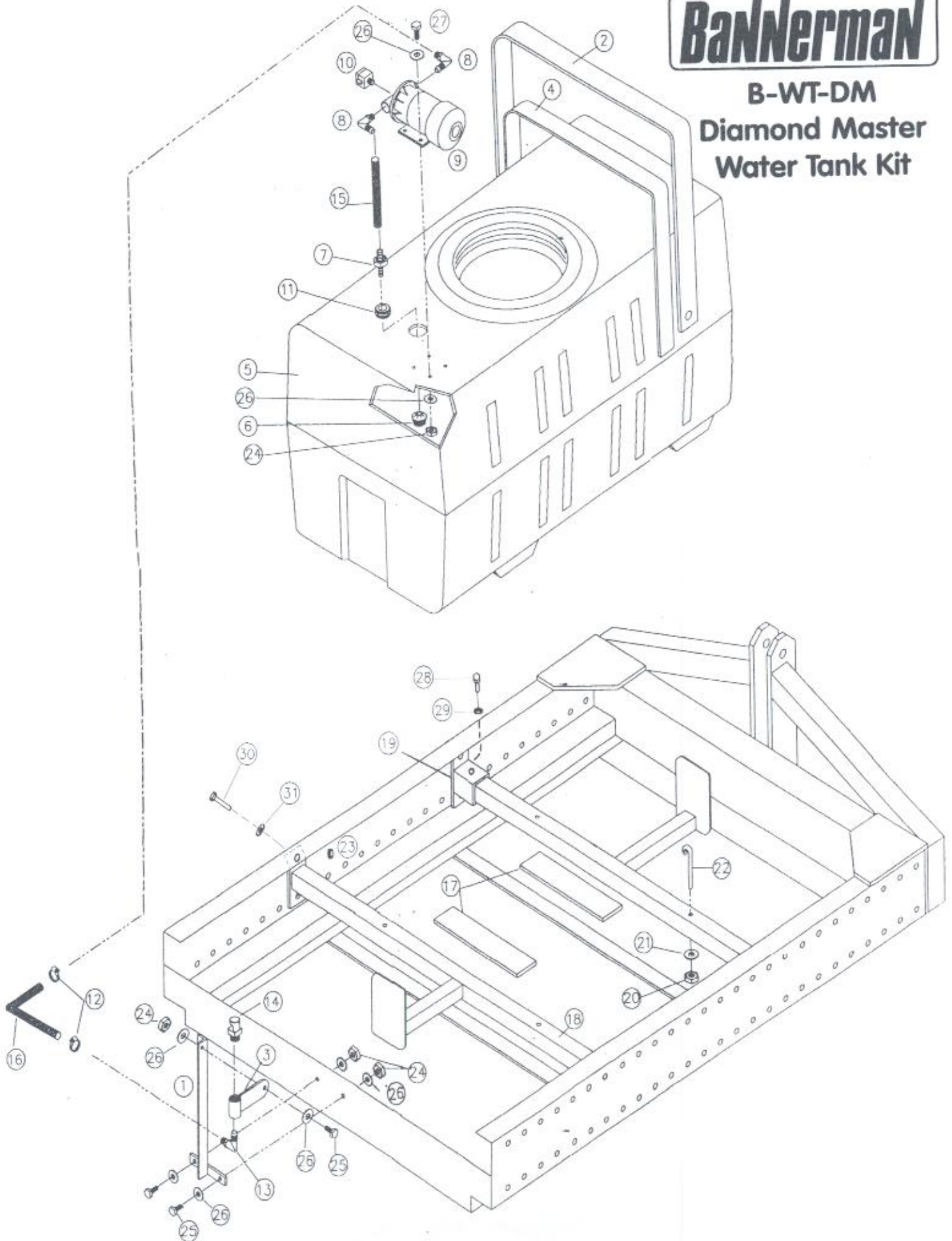
Long Tine Rake Assembly

Item No.	Part No.	Part Description	Qty.
1	15300	Rake Bar	1
2	15301	Long Fluff Tine	24
3	15302	Bolt - 5/8"-11 x 3.5 HHC	24
4	04037	Washer - 5/8" Flat SAE	56
5	09024	Nut - 5/8"-11 Nylon Insert	28
6	15111	Bolt - 5/8"-11 x 3 HHC	4



Bannerman

B-WT-DM Diamond Master Water Tank Kit

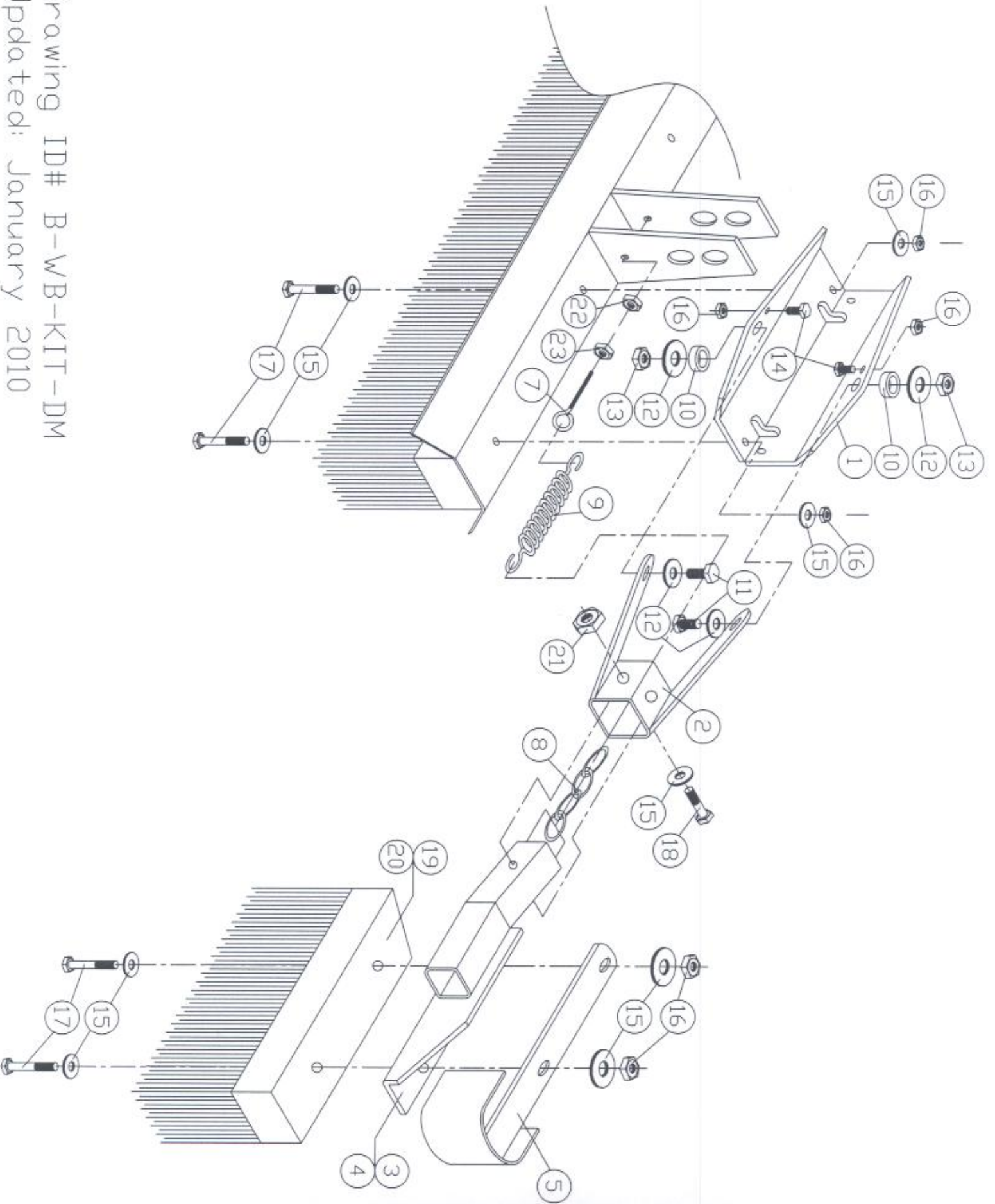


BANNERMAN B-W.T.DM

DIAMOND MASTER[®] WATER TANK KIT

<u>REF.</u>	<u>PART #</u>	<u>DESCRIPTION</u>	<u>QTY.</u>
1	15201	Bracket - Nozzle Mtg	1
2	15202	Strap - Tank	2
3	15203	Bracket - Nozzle Coupling	1
4	15217	Pad - Rubber	2
5	15205	Tank - Water	1
6	15206	Screen - Filter	1
7	15207	Adapter - Barb	1
8	15208	Elbow - 90	2
9	15209	Pump - 12 Volt	1
10	15210	Switch - Pressure	1
11	15211	Grommet	1
12	15212	Clamp - Gear	2
13	15213	Elbow - 1/2" N.P.T.	1
14	15214	Nozzle - 4.0 GPM	1
15	15215	Hose - 1/2"X 24"	1
16	15216	Hose - 1/2"X 26"	1
17	15204	Pad - Tank Mtg	2
18	15220	Frame - Tank Mtg	2
19	15221	Bracket - Tank Mtg Pocket	2
20	02004	Nut - 5/16-18 Nylon Insert	4
21	02005	Washer - 5/16 SAE	4
22	15218	Eye - Bolt 5/16-18	4
23	03024	Nut - 1/2-13 Nylon Insert	8
24	02066	Nut - 1/4-20 Nylon Insert	7
25	03055	Screw - 1/4-20X1 HHC	3
26	03007	Washer - 1/4 SAE	10
27	01019	Screw - 1/4-20X1-1/2 HHC	4
28	03016	Screw - 3/8-16X1 HHC	2
29	02033	Nut - 3/8-16 Hex	2
30	15113	Screw - 1/2-13X1-1/4	8
31	03022	Washer - 1/2 SAE	8

Drawing ID# B-WB-KIT-DM
Updated: January 2010



SWING AWAY WING BRUSH KIT

tem No	Part No.	Part Description	Qty.
1	15120	Brush Plate	2
2	15121	Pivot Plate	2
3	15061	Brush Bracket (L)	1
4	15059	Brush Bracket (R)	1
5	15122	Nose Guard	2
6	15123	Eye Bolt Bracket	2
7	03064	Eye Bolt Bracket	2
8	15124	Chain - 4 Link	2
9	15125	Spring - W.B.	2
10	15034	Bushing, 1/2" ID	4
11	11218	Bolt, 1/2"-13 X 1.5" HHC	4
12	03032	Washer, 1/2" SAE	8
13	03024	Nut, Nylon Insert 1/2"-13	4
14	03016	Bolt, 3/8"-18 X 1" HHC	4
15	02024	Washer, 3/8" SAE	20
16	03022	Nut, Nylon Insert 3/8"-16	12
17	11212	Bolt, 3/8"-18 X 3.25" HHC	8
18	11210	Bolt, 3/8"-18 X 2.5" HHC	2
19	15053	Brush (L)	1
20	15057	Brush (R)	1
21	03062	Nut, Jam 3/8"-16	1
22	02004	Nut, Nylon Insert 5/16"-18	2
23	08078	Nut, Free Running 5/16"-18	2