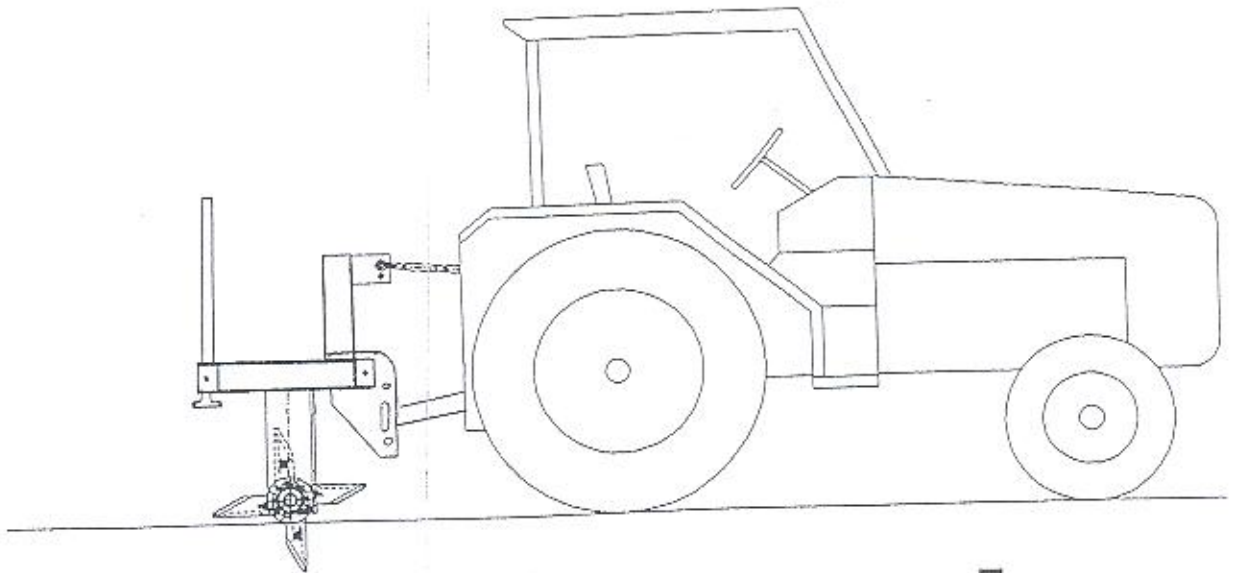


# BANNERMAN

## BA-600 Super-Ject Aerator

CE

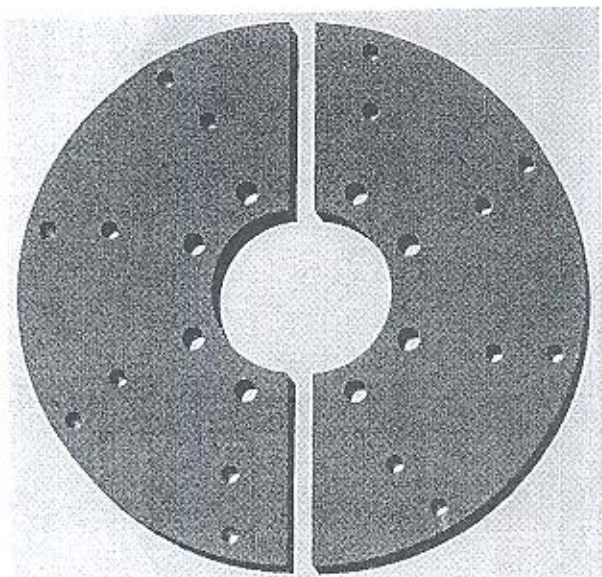
Conforms to  
European  
Standards



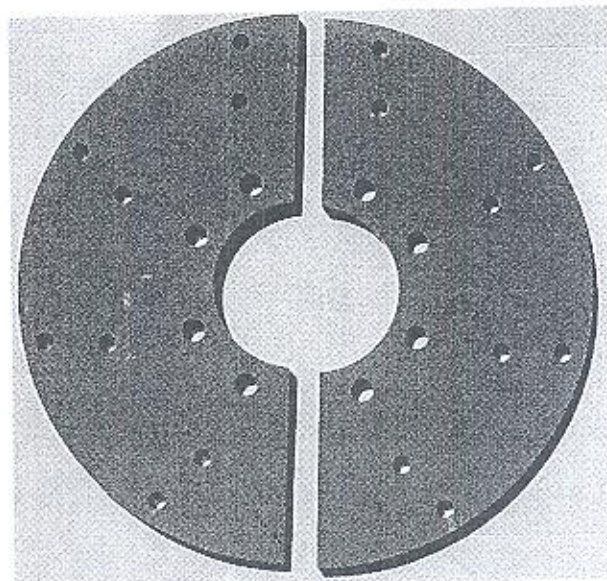
## Safety, Operation & Parts Manual

Updated: MAY 29 2007

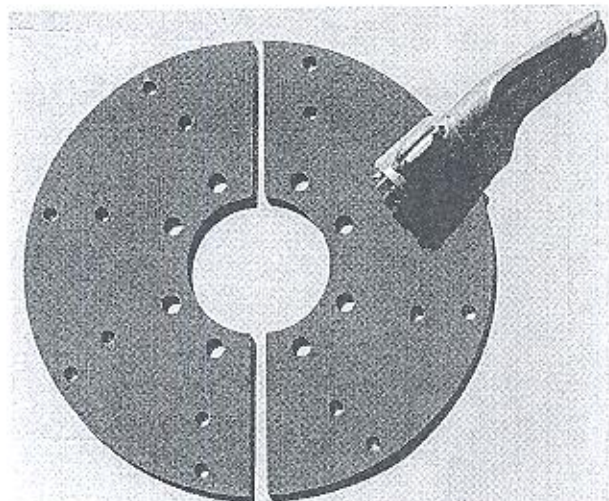
# BA-600 Super-Ject Aerator Core Tine Kit Plate and Tine Installation



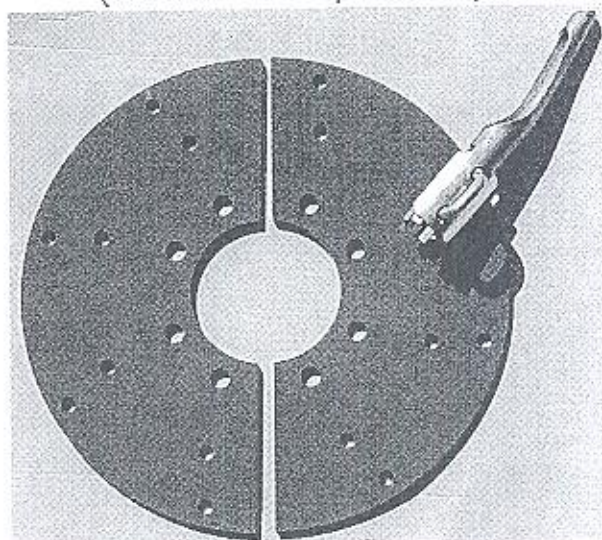
**Right Way**  
(notice the hole pattern)



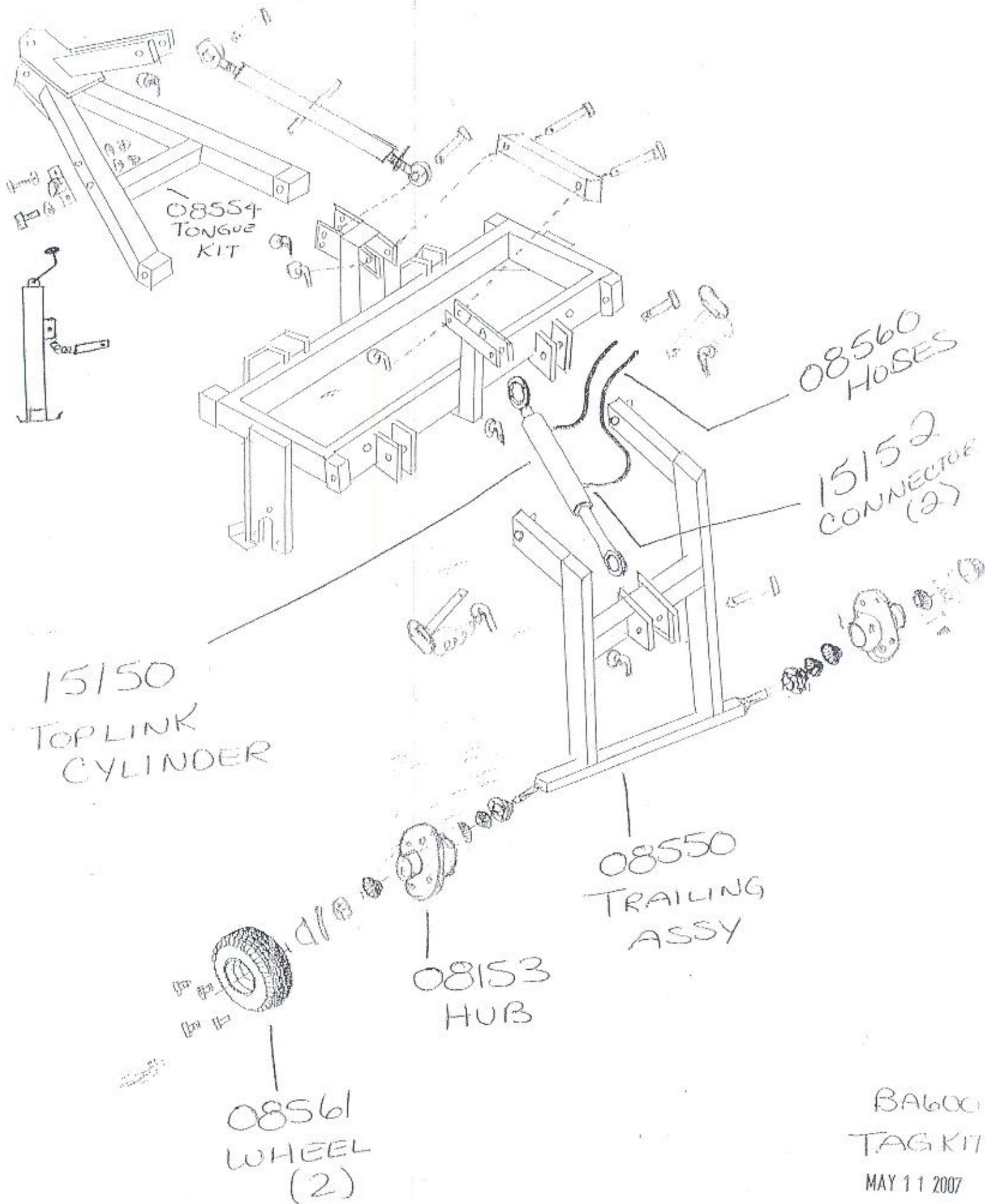
**Wrong Way**  
(notice hole pattern)



**Right Way**  
(Plates are Correct and Tine is placed in the right direction)



**Wrong Way**  
(Plates are Correct and Tine is placed in the wrong direction)



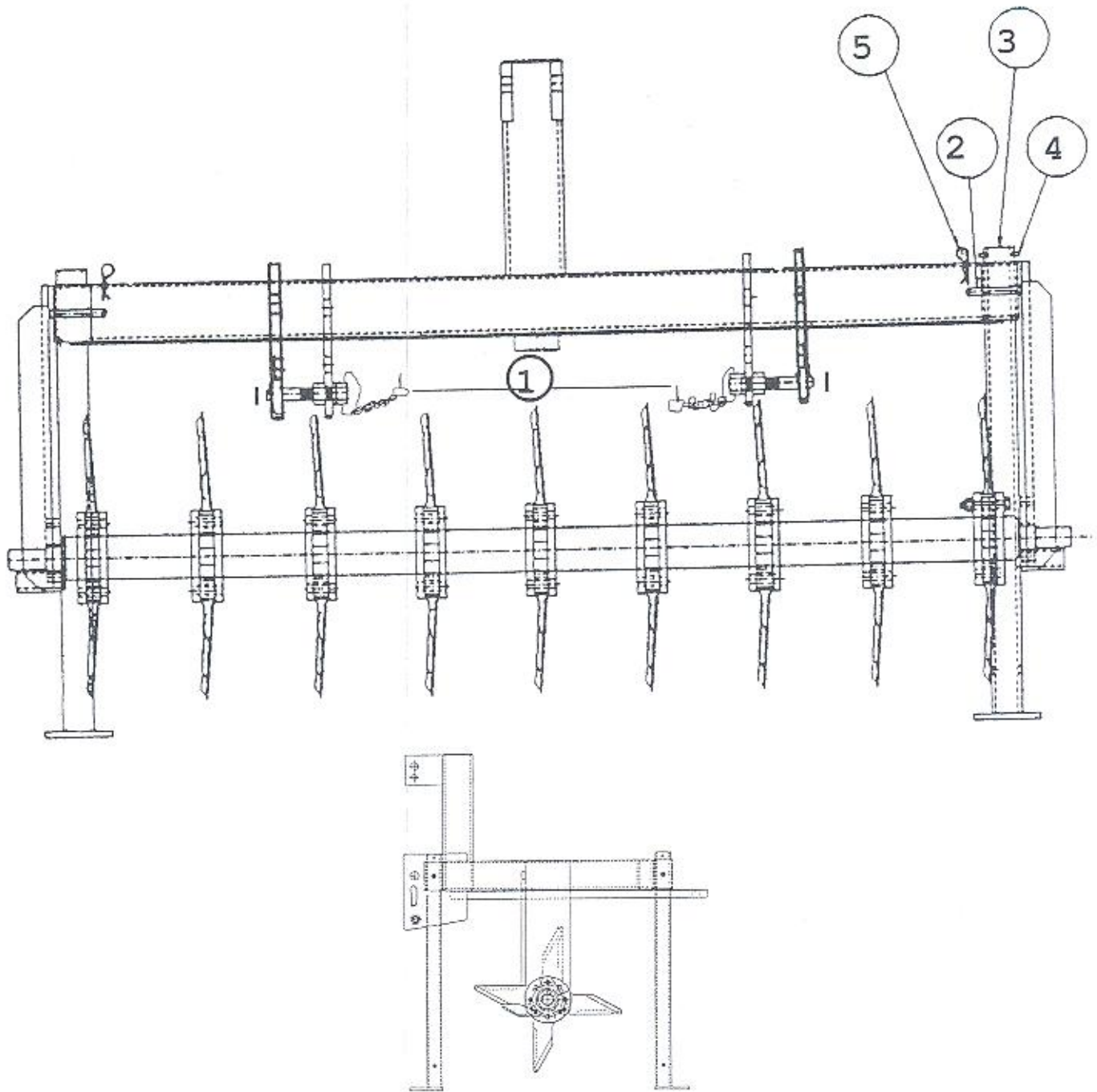
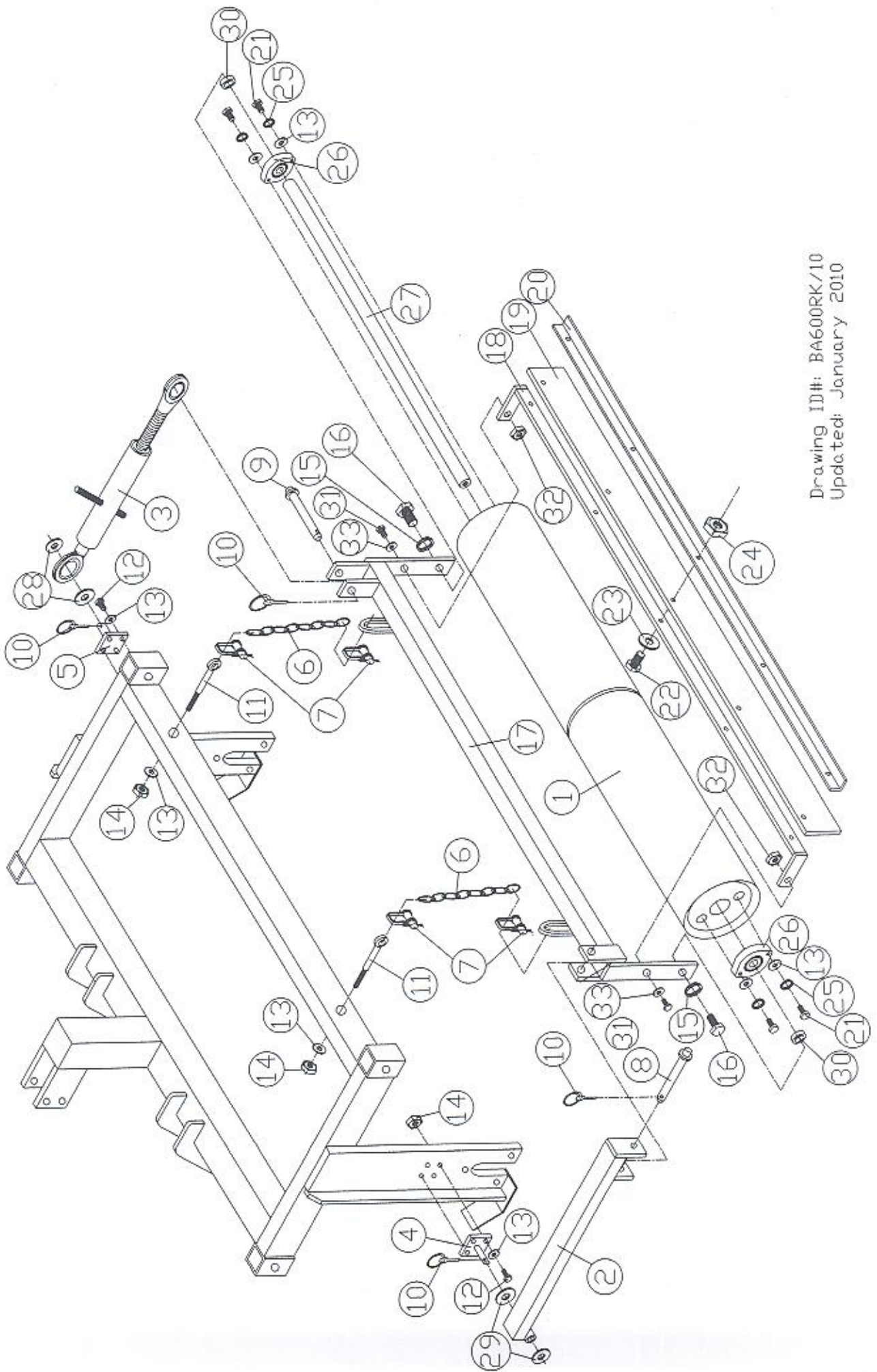


Figure #4

#	Part #	Part Description	Qty
1	15116	Hitch Pin w/chain and lynch Pin	2
2	08535	Jack Pin	4
3	08542	Jack Leg	4
4	08534	Roll Pin 1/4" X 2-3/4 Lg	4
5	08174	Hair Pin	4



Drawing ID#: BA600RK/10  
Updated: January 2010

## BA-600 ROLLER KIT

Item No.	Part No.	Part Description	Qty.
1	15096	Roller, 3' Half	2
2	08518	Roller Arm	1
3	08175	Link - Adjusting	1
4	08517	Pivot Assembly 7/8"	1
5	08516	R/H Pivot Block	1
6	08520	Chain, Suspension 5/16" X 16 Link	2
7	08171	Chain, Shackle	4
8	08173	Pin, Long	1
9	08152	Pin, Short	1
10	15045	Pin, Lynch	4
11	08176	Bolt, Eye 3/8"-16	2
12	08083	Bolt, 3/8"-16 X 2.25" HHC	8
13	02024	Washer, 3/8" Flat SAE	14
14	03022	Nut, Nylon Insert 3/8"-16	10
15	15042	Washer, 3/4" Lock	2
16	15041	Bolt, 3/4"-10 X 2" HHC	2
17	08519	Frame, BA-600 Roller	1
18	08166	Bracket - Scraper	1
19	08168	Rubber - Scraper	1
20	08167	Scraper - Clamp	1
21	03016	Bolt, 3/8"-16X1" HHC	4
22	03057	Bolt, 5/16"-18 X 1.5	8
23	02005	Washer, 5/16" SAE	8
24	02004	Nut, Nylon Insert 5/16"-18	8
25	03057	Washer, 3/8" Lock	4
26	15027	Bearing, Roller	2
27	08164	Shaft Roller	1
28	06037	Washer, 3/4" Flat SAE	2
29	11258	Washer, 7/8" Flat SAE	2
30	15019	Collar - Roller	2
31	11225	Bolt - 1/2"-13 X 1.75" HHC	2
32	03024	Nut - 1/2"-13 Nylon Insert	2
33	03032	Washer - 1/2" Flat SAE	2