

BANNERMAN

Parts & Operation Manual

BGT 27

Greens Thatcher

BLT 14

BLT 15

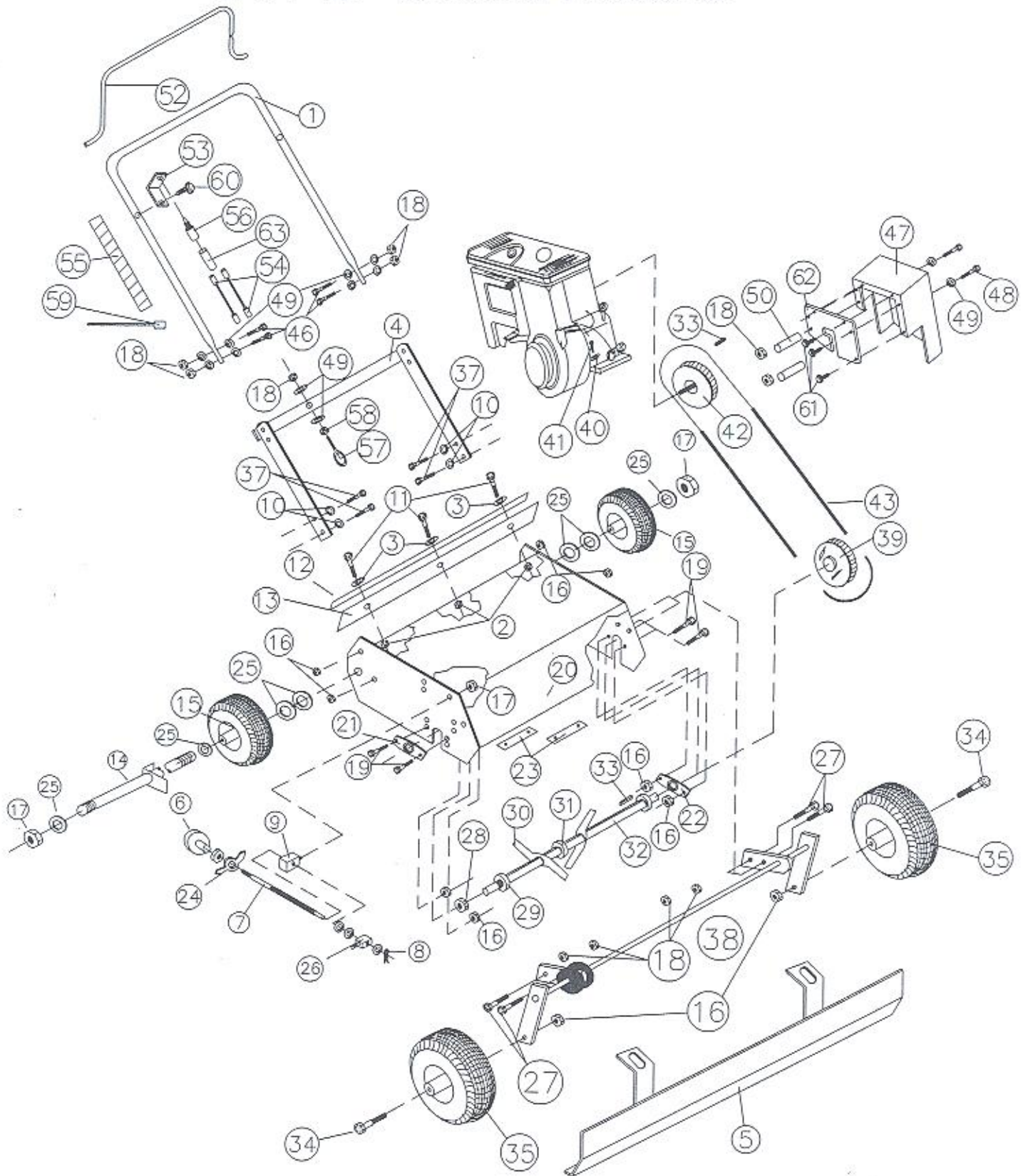
Lawn Thatcher



CE

BLTBGT-MANUAL Updated: April 2005

BLT - 14 Reno/Lawn Thatcher
BLT - 15 Lawn Thatcher
BGT-27 Greens Thatcher

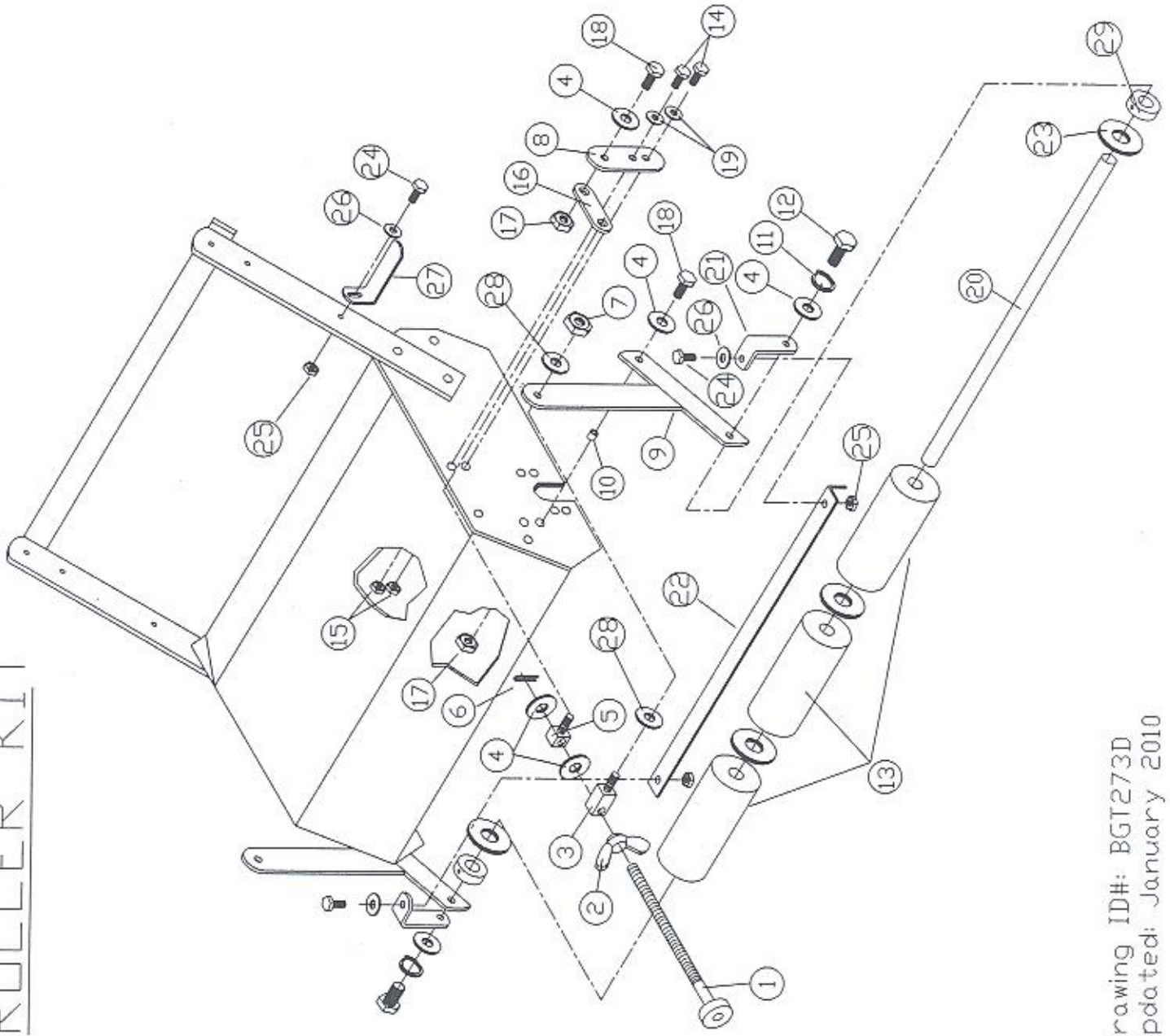


BLT-14/15 & BGT-27

Item No.	Part No.	Part Description	Qty.
1	03001	Handle Assembly - Upper	1
2	02066	Nut, Nylon Insert - 1/2"-20	3
3	03007	Washer, Flat - 1/4"	3
4	03008	Handle Assembly - Lower	1
5	03203	Guard - Toe	1
6	03202	Knob	1
7	03201	Adjusting Rod	1
8	03014	Pin, Cotter - 1/8" X 3/4"	1
9	03072	Adjusting Rod Pivot Block	1
10	03016	Screw, Hex Head Cap - 3/8" - 16 X 1	4
11	03013	Screw, Hex Head Cap - 1/4" - 20 X 3/4"	3
12	03018	Backing Strip	1
13	03019	Guard - Rear Deflector	1
14	03063	Axle - Rear	1
15	08065	Wheel - Rear (Pneumatic)(1992)	2
	03021	Wheel - Rear (10 X 1.75)(1992)	2
16	03022	Nut, Nylon Insert - 3/8 - 16	10
17	03024	Nut, Nylon Insert - 1/2" - 13	3
18	02004	Nut, Nylon Insert - 5/16" - 18	9
19	03026	Screw, Hex Head Cap - 3/8" - 16 X 1-1/4"	4
20	03027	Hood Assembly	1
21	03028	Bearing, Flange - Right Hand	1
22	03029	Bearing, Flange - Left Hand	1
23	03030	Engine Mounting Bar	2
24	03031	Nut, Wing - 1/2" - 13	1
25	03032	Washer, Flat - 1/2"	6
26	03074	Adjusting Rod Pivot Block	1
27	02013	Screw, Hex Head Cap - 5/16" - 18 X 3/4	4
28	03038	Nut - Special	2
29	03039	Collar	1
30	03040	Cutter Blade 1/16" or 1.60mm Thick (BLT-15)	15
	03041	Cutter Blade 1/32" or 0.80mm Thick (BGT-27)	27
	03130	Cutter Blade 1/8" or 3.18mm Thick (BLT-14)	14
31	03042	Spacer, Blade (BLT-14-15)	28
	03042	Spacer, Blade (BGT-27)	26
32	03044	Shaft, Blade	1
33	03045	Key, Square - 3/16"	2
34	02029	Bolt, Shoulder	2
35	02027	Wheel, Front(8 X 1.75)	2
36			
37	02024	Washer, Flat - 3/8 SAE	4
38	03200	Front Suspension Assembly	1
39	03055	Pully, Blade	1
40	02003	Washer, Lock - 5/16	4
41	03057	Screw, Hex Head Cap - 5/16" - 18 X 1-1/2"	4
42	03058	Pully, Engine - 3/4" Bore	1
43	03059	Belt - 3V300	1
44			
45			

<u>Item No.</u>	<u>Part No.</u>	<u>Part Description</u>	<u>Qty.</u>
46	02002	Screw, Hex Head Cap - 5/16" - 18 X 1	4
47	03068	Guard, Belt	1
48	02007	Screw, Hex Head Cap - 5/16" - 18 X 2-1/4"	2
49	02005	Washer, Flat 5/16 SAE	4
50	03066	Spacer, Belt Guard (BLT14/15)	4
	03066	Spacer, Belt Guard - Long (BGT-27)	1
51	03067	Spacer, Belt Guard - Short (BGT-27)	1
52	03098	Drip Rod	1
53	03099	Plunger Bracket	1
54	03093	Wire Shorting - 42"	2
55	03088	Conduit - 39"	1
56	03089	Plunger Bracket	1
57	03064	Bolt, Eye	1
58	08078	Nut, Running 5/16 - 18	1
59	02064	Zip Ties	3
60	11232	Screw, Self Drill	1
61	491-048	Screw, Self Tapping	4
62	03208	Guard, Rubber Finger	4
63	15112	Grip	1
64	02082	Grip - Upper Hander	2

B-GT-27 ROLLER KIT



Drawing ID#: BGT273D
Updated: January 2010

BGT-27 - ROLLER KIT

Item No.	Part No.	Part Description	Qty.
1	03070	Adjustor Rod	2
2	03031	Nut, Wing 1/2"-13	2
3	03072	Adjustor Rod Pivot Block	2
4	02024	Washer, Flat 3/8" SAE	2
5	03074	Adjustor Rod Pivot Block	1
6	03014	Pin, Cotter 1/8"	2
7	03024	Nut, Nylon Insert 1/2"-13	8
8	03077	Bracket - Pivot Block	2
9	03078	Bracket - Roller	2
10	03051	Bushing, Pivot	2
11	03049	Washer, Lock 3/8"	2
12	03016	Bolt, 3/8"-16 X 1" HHC	4
13	03082	Roller, Gauge	1
14	02013	Bolt, 5/16"-18 X 1" HHC	4
15	03025	Nut, Nylon Insert 5/16"-18	4
16	03075	Bar - Chassis Pivot	2
17	03022	Nut, Nylon Insert 3/8"-16	4
18	03083	Bolt, 3/8"-16 X 1.25" HHC	2
19	02005	Washer, 5/16" SAE	4
20	03084	Shaft - Roller	1
21	03096	Bracket - Scraper	2
22	03095	Scraper - Roller	1
23	06037	Washer, 3/4" SAE	4
24	03013	Bolt, 1/4"-20 X 3/4" HHC	2
25	02066	Nut, Nylon Insert 1/4"-20	4
26	03007	Washer, 1/4" SAE	4
27	03081	Scraper - Wheel	2
28	03032	Washer, 1/2" SAE	4 - 6
29	03009	Collar - 3/4" Set	2