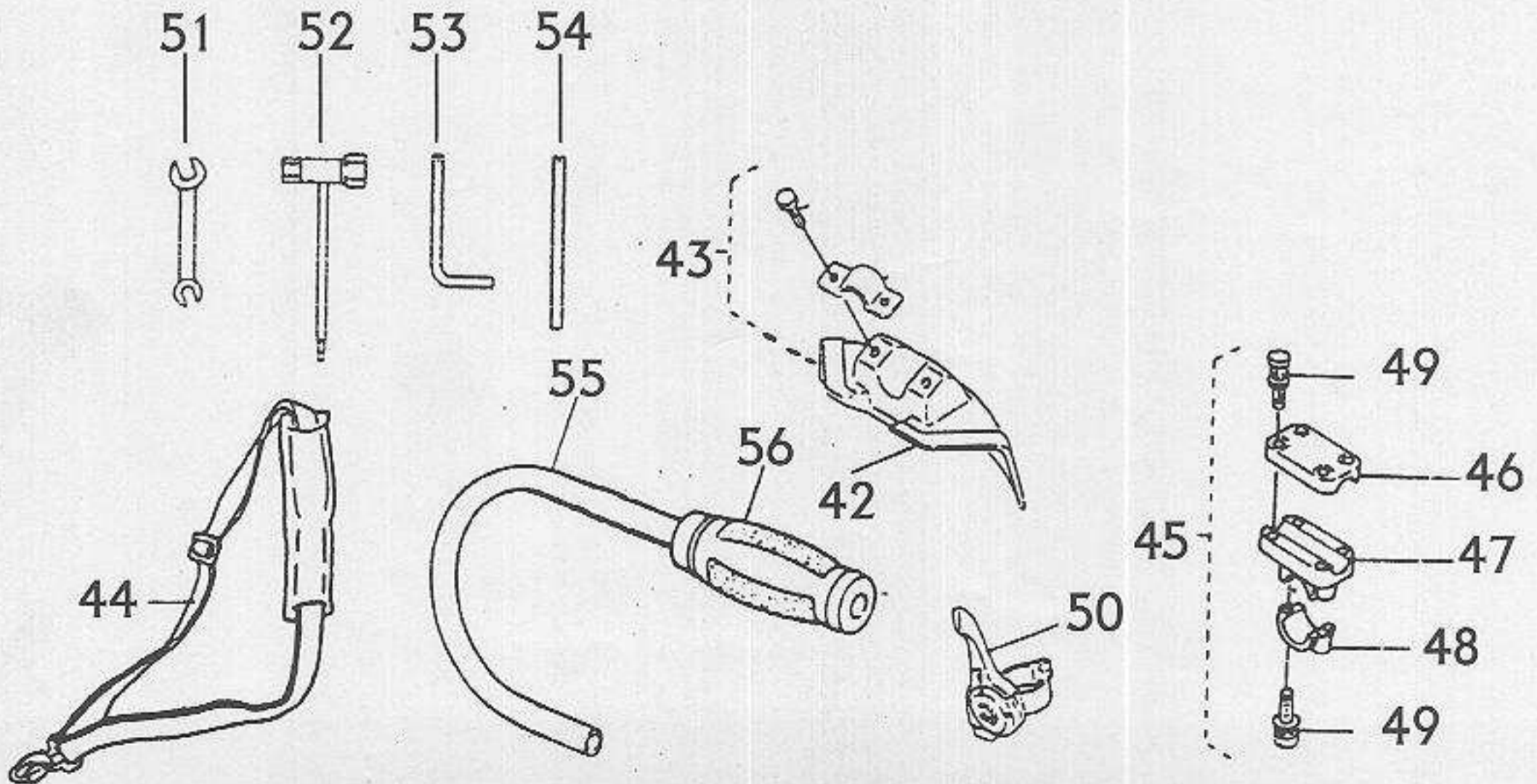
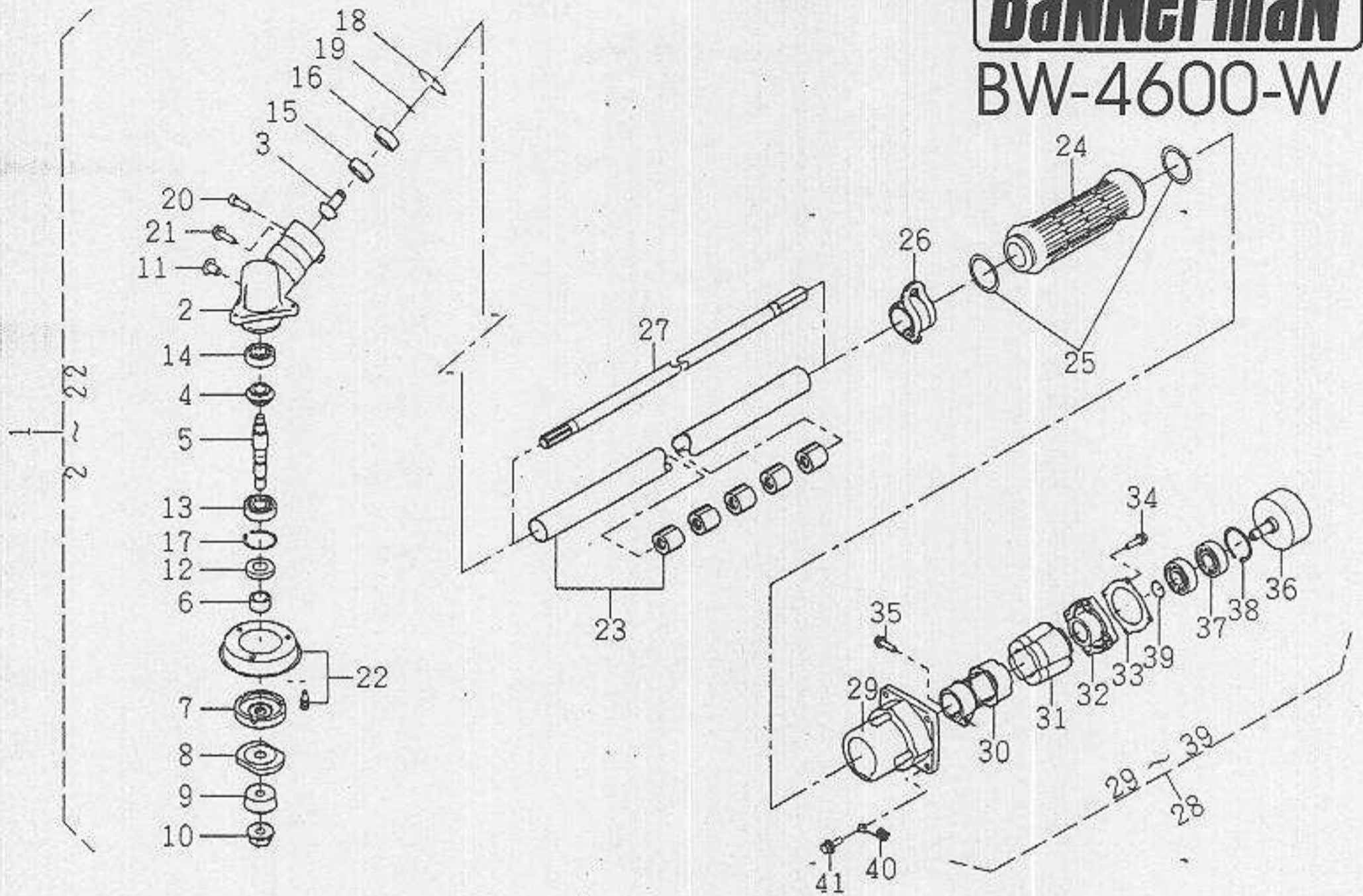


# BANNERMAN

## BW-4600-W



# BW-4600-W

Item #	Part #	Part Description	Spec.
1	71008-242	Gear Case Assembly	
2	51001-221	Gear Case	
3	78002-130	Bevel Pinion	
4	78001-102	Bevel Gear	
5	64001-144	Splined Shaft	
6	61001-119	Spline Sleeve	
7	11001-150	Holder A	
8	11002-126	Holder B	
9	36068-125	Nut Protector	
10	31001-106	Lock Nut	10mm
11	0377L0810	Binding Screw or Grease Fitting	8mm X 10mm
12	61002-128	Oil Seal	TC - 17 X 32 X 8
13	0919B6201	Bearing	6201C3
14	0913B0629	Bearing	629
15	0913B6000	Bearing	6000
16	0912B6000	Bearing	6000Z2
17	0811V3200	C-Snap Ring	32
18	0811V2600	C-Snap Ring	26
19	0812V1000	C-Snap Ring	10
20	0412U0620	Socket Screw	6mm X 20mm
21	0335M0512	Flange Bolt 5mm X 12mm	5mm X 12mm
22	71001-117	Grass Cover Set	
23	71130-142	Main Pipe Complete w/bushings	
24	36001-110	Main Grip	
25	68013-136	Spring	
26	71012-137	Hanger Band Assembly	
27	64011-191	Main Shaft	
28	71001-223-65	Clutch Case Assembly	
29	51030-162-65	Clutch Case	
30	36041-105	Pipe Support	
31	36005-141	Vibro-Isolating Rubber	
32	51035-110	Clutch Bearing Cover	
33	11120-255	Plate	
34	0413U0420	Socket Screw	4mm X 20mm
35	31057-139	Hexagon Bolt (w/ SW)	
36	11014-173	Clutch Drum	
37	0917B6000	Bearing	6000Z2C3
38	0811V2600	C-Snap Ring	26
39	0812V2600	C-Snap Ring	10
40	51104-109	Guide	
41	0315N0620	Hexagon Bolt (w/ SW & PW)	6mm X 20mm
42	36046-141	Safety Guard	
43	71038-148	Safety Guard	
44	36063-185	Shoulder Band	
45	71011-122	Handle Joint Assembly	
46	51009-129	Handle Joint A	
47	51010-134	Handle Joint B	
48	51013-113	Handle Joint C	
49	0315I0625	Bolt	6mm X 25mm
50	91010-153	Throttle Lever	
51	66005-101	Wrench	
52	66006-117	Socket Wrench	
53	66007-104	Allan Key	
54	66009-103	Bar	
55	51023-102-G8	Hook Handle	
56	36007-129	Rubber Grip	