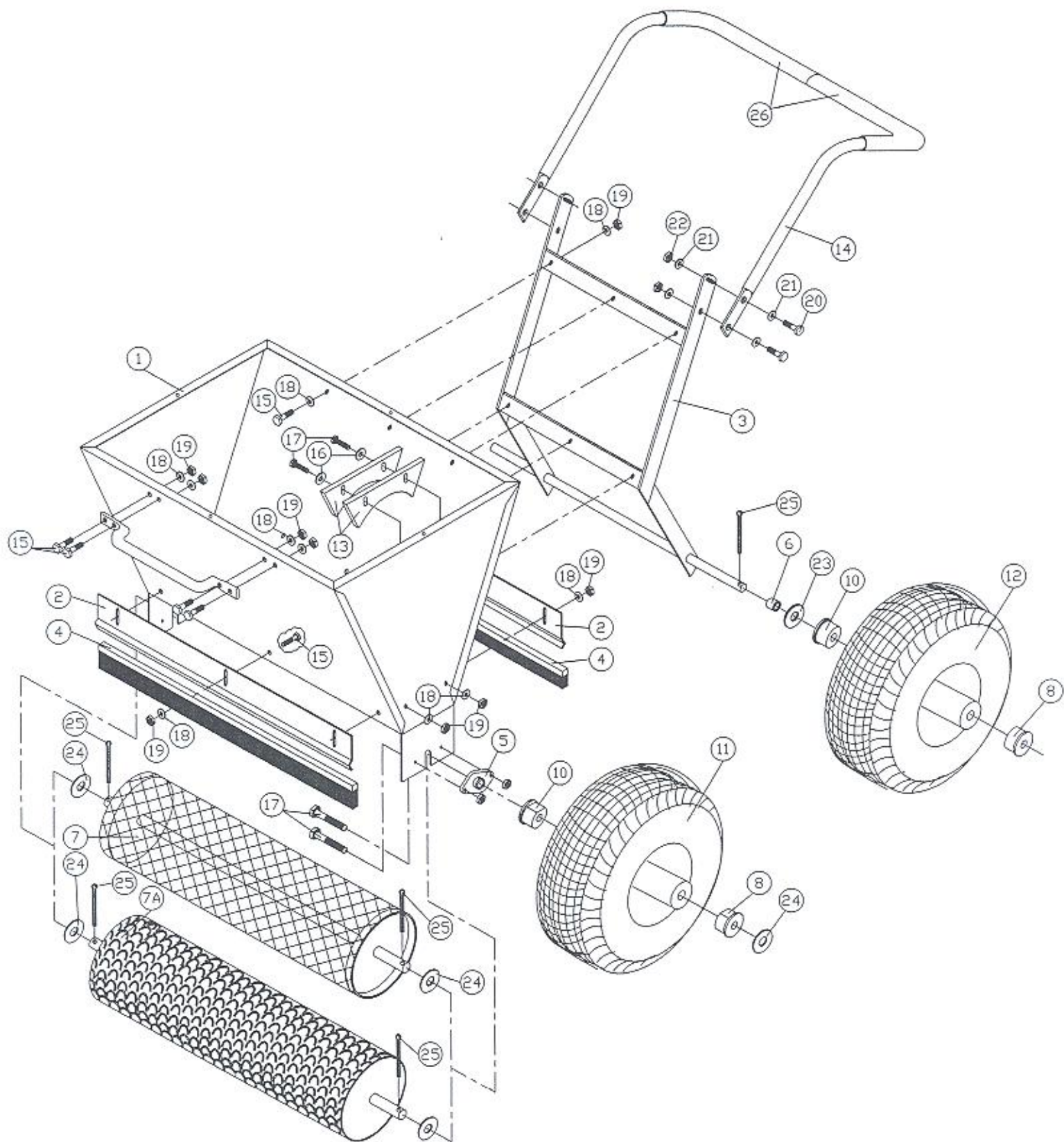


B-MTD MINI TOPPER

Item No.	Part No.	Part Description	Qty.
1	00801	Hopper	1
2	00802	Holder - Brush	2
3	00805	Handle - Lower	1
4	00808	Brush	2
5	00810	Bearing	2
6	00811	Spacer - Axle	2
7	00812	Drum - Spreader	1
7A	00840	Drum - Solid Sand	1
8	00813	Bearing - Outside	4
9			
10	00815	Bearing - Inside Drive	4
11	00816	Wheel - Drive	2
12	00865	Wheel	2
13	00841	Skirt - Rubber	4
14	04049	Handle - Upper	1
15	03013	Bolt - 1/4"-20 X 0.75" HHC	16
16		Washer - 1/4" Flat USS	4
17	02032	Bolt - 1/4"-20 X 1.25" HHC	8
18	03007	Washer - 1/4" Flat SAE	30
19	02066	Nut - Nylon Insert 1/4"-20	24
20	02002	Bolt - 5/16"-18 X 1.0" HHC	4
21	02005	Washer - 5/16" Flat SAE	8
22	02004	Nut - Nylon Insert 5/16"-18	4
23	03032	Washer - 1/2" Flat SAE	2
24	00817	Washer - 5/8" Shim SAE	6
25	11279	Pin - Cotter 1/8 X 1	6
26	02082	Grip - Upper Handle	2



B-MTD MINI TOPPER BAFFLE KIT

Item No.	Part No.	Part Description	Qty.
1	00801	Hopper	1
2	00805	Handle - Lower	1
3	00830	Baffle Plate	1
4	00833	Baffle Angle	1
5	00834	MTD Casters	2
6	11230	Bolt, 10-24 X 1/2" Round Head Machine	4
7	02048	Nut, Nylon Insert 10-24	4
8	02054	Bolt, 1/4"-20 X 1/2" HHC	2
9	08077	Bolt, 1/4"-20 X 1.75" HHC	2
10	02066	Nut, Nylon Insert 1/4"-20	8
11	03007	Washer - 1/4" Flat	8

Notes:

1. Remove 1/4" X 3/4" Bolts.
2. Replace them with 1/4"-20 X 1.75" Bolts and 1/4" flat Washers under the Bolt head and 1/4" Nuts tightened down.
3. Install 1/4" Nuts over 1.75" Bolts. Run them up and Install 1 Washer. Leave 1/8" gap between Hopper and Baffle plate
4. Install Washer and Nut over plate, Snug Nut to Washer

