

**BaNerman**

# Pre Line Mower



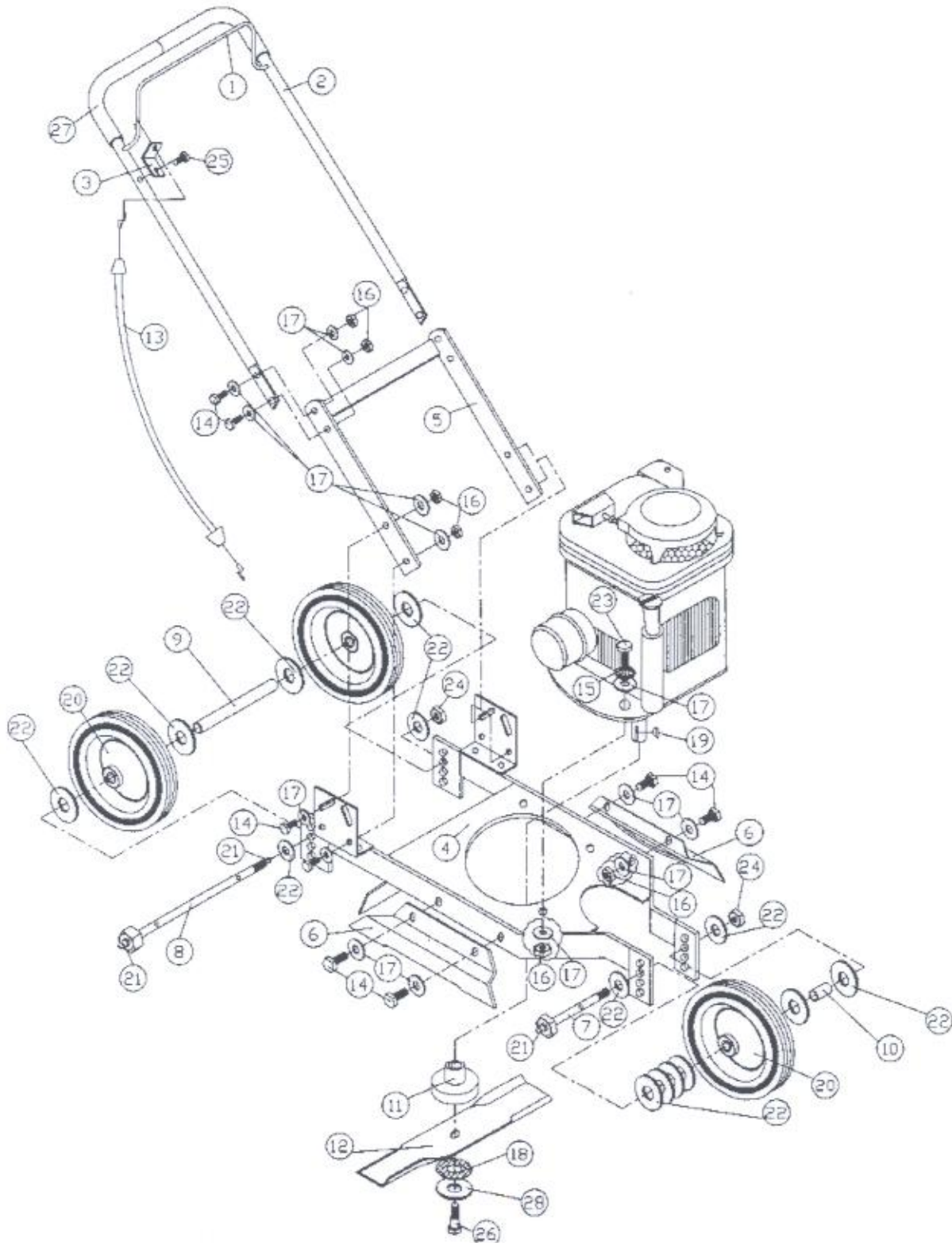
Model No.: B-12-35B&S

Update: March 22, 2011  
Part No.: MANUAL-00001

# Bannerman Pre Line Mower

Model No.: B-13-35B&S

Year: 2011



## Bannerman Pre Line Mower

Model No.: B-12-35B&S

Year: 2011

Item No.	Part Number	Description	Qty
1	01211	Operator Presence Bail Control	1
2	01221	Handle, Upper	1
3	01226	Bracket, Cable	1
4	01900	Frame, Main	1
5	01901	Handle, Lower	1
6	01903	Guard, Side	2
7	01904	Axle, Front	1
8	01905	Axle, Rear	1
9	01906	Spacer, Rear	1
10	01907	Spacer, Front	1
11	01909	Blade Hub	1
12	01910	Blade	1
13	01911	Cable	1
14	02002	Screw, HHC 5/16" -18 X 1"	10
15	02003	Washer, Lock 5/16"	1
16	02004	Nut, Nylon Insert 5/16" -18	10
17	02005	Washer, SAE 5/16"	20
18	02009	Washer, Fiber	1
19	02016	Key, Woodruff #6	1
20	02027	Wheel	3
21	02030	Grease Fitting, Straight 1/4" -28	3
22	03032	Washer, SAE 1/2"	14
23	03057	Screw, HHC 5/16" -18 X 1-1/2"	1
24	11251	Nut, Nylon Insert 1/2" -20	2
25	11232	Screw, Self Tapping 10 -16	1
26		Screw, HHC 3/8" -24 X 2"	1
27	02082	Grip, Upper Handle	2
28	02010	Washer, Steel Compression	1