

BANNERMAN

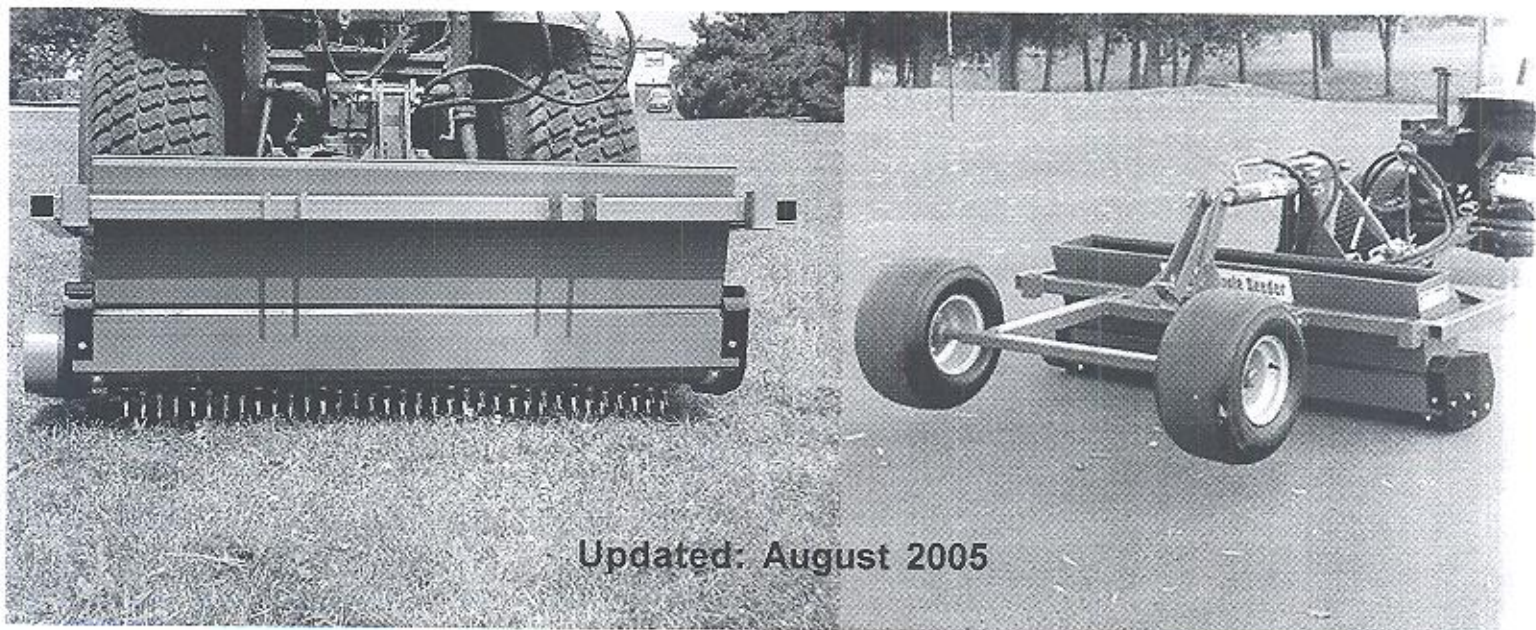
B-SDS-4

Simple Dimple

Seeder

Parts & Operation

Manual



Operating Instructions

We want you to obtain the best performance from this machine. If you have any difficulty after reading the following instructions please contact **Bannerman Limited**.

Safety Hints

1. **ALWAYS** read operating instructions carefully and understand the controls before commencing work.
2. **BEFORE** starting work always visually check machines for damage or wear to working parts such as blades or tines.
3. **DO NOT** allow any unauthorized person to handle machines in any way at any time.
4. **WATCH** out for children or pedestrians. **ALWAYS** look behind before starting to reverse.

Design

The **Bannerman Simple Dimple Seeder** is designed for use on golf tees and approaches; soccer goal mouths and centres; tennis base lines; cricket run-ups and ends etc. The **Simple Dimple Seeder** has a working width of 127cm.

The studded roller, specially manufactured and spiralled to Bannerman design creates thousands of little "plant pots" to receive the grass seed which is metered simultaneously. The framework has provision for additional weights if required for extra depth in hard conditions.

Connection of the Tractor

Connect the **Simple Dimple Seeder** to the tractor 3-point link arms, ensuring that stabilisers are fitted. Adjust the top link so that the **Simple Dimple Seeder** is parallel to the ground.

Extra weight may be required to assist penetration in hard conditions.

ALWAYS fit weights when machine is attached to the tractor.

ALWAYS remove weights before disconnecting machine from tractor.

Principle

The **Simple Dimple Seeder** tine shaft is driven by the forward motion of the machine when the studded roller is in contact with the ground.

The tine shaft in turn drives the seeder shaft at a given rate through the change gears. The tine shaft creates thousands of little "plant pots". The seed is then broadcast into the plant pots by the calibrated seeder.

Seeding Rates

For very low rates the seeder wheels (item number 25) may be changed. Remove the seeder shaft by removing the two bearings on either end of the shaft. Once the shaft is removed from the shaft and the alternative seeder wheels are replaced. The shaft is then refitted. Using the change wheels gives 2 rates on the low range.

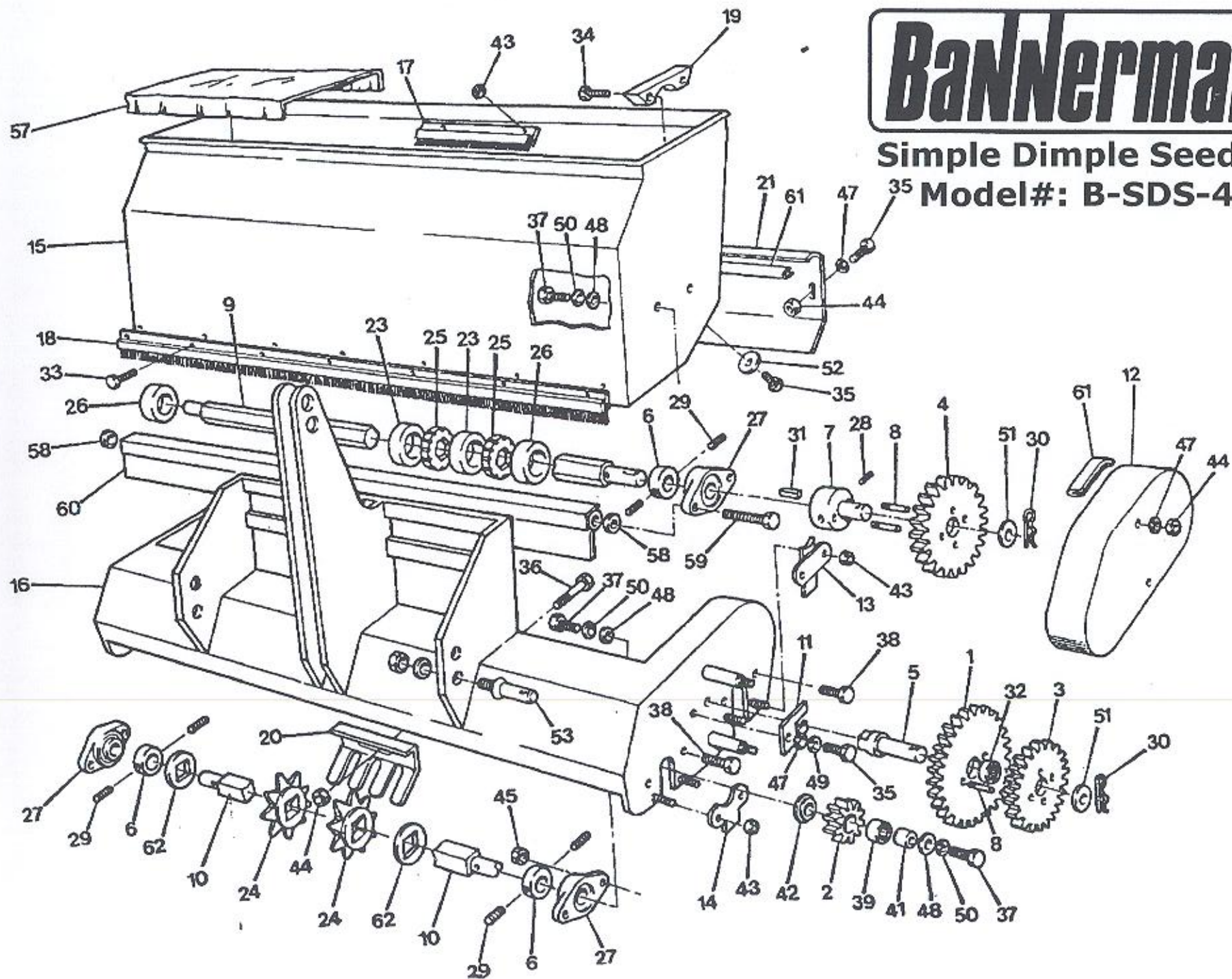
Seeding Rates

Bannerman Simple Dimple Seeder				
Seed Type	Gear Ratio	Ounce per Square Yard	Gram per Metre Square	Pounds per Square Acre
Rye Grass	60:35	0.17	5.76	51.30
	35:60	0.50	17.00	151.10
Kentucky Marion	60:35	0.17	5.76	51.30
	35:60	0.50	17.00	151.10
Bent Grass	60:35	0.12	4.00	36.30
	35:60	0.35	12.00	105.7
Bent Grass	70:25	0.50	1.68	15.25
	25:70	0.15	5.04	44.39

Note: ALL seed rates are approximate. Seed grain size and ground conditions will affect rate of application. Accurate seed rates can only be obtained by on-site calibration.

BANNERMAN

Simple Dimple Seeder
Model#: B-SDS-4



Parts List

Item#	Part#	Description
1	SF33714	Spur Gear
2	SF33715	Spur Gear
3	SF33716	Spur Gear 35 Tooth (RYE)
	SF34804	Spur Gear 25 Tooth (BENT)
4	SF33717	Spur Gear 60 Tooth (RYE)
	SF34805	Spur Gear 70 Tooth (BENT)
5	SF33718	Gear Shaft
6	SF33719	Locking Collar
7	SF33720	Drive Boss
8	SF33721	Drive Pin
9	SF33722	Seeder Shaft
10	SF33723	Tine Wheel Shaft
11	SF33728	Gear Shaft Clamp
12	33731	Gear Drive Guard
13	33732	Seeder Gear Shaft Cover
14	33733	Tine Wheel Shaft Cover
15	33734	Hopper
16	33735	Mainframe
17	S33739	Brush Strip (Inside) 48"
18	S33740	Brush Strip (Outside) 50"
19	33741	Rubber Side Seal
20	33745	Tine Wheel Scraper
21	33746	Seeder Gear Shaft Cover
22	33754	Transfer
23	SF33803	Spacer, Nylon (RYE)
	SF35769	Spacer, Nylon (BENT)
24	C153	Tine Wheel
25	SF31291	Seed Dispensing Gear (RYE) 37/Set
	SF35678	Seed Dispensing Gear (BENT) 37/Set
26	31293	Spacer, Nylon
27	S8298	Bearing
28	8068	Socket Set Screw

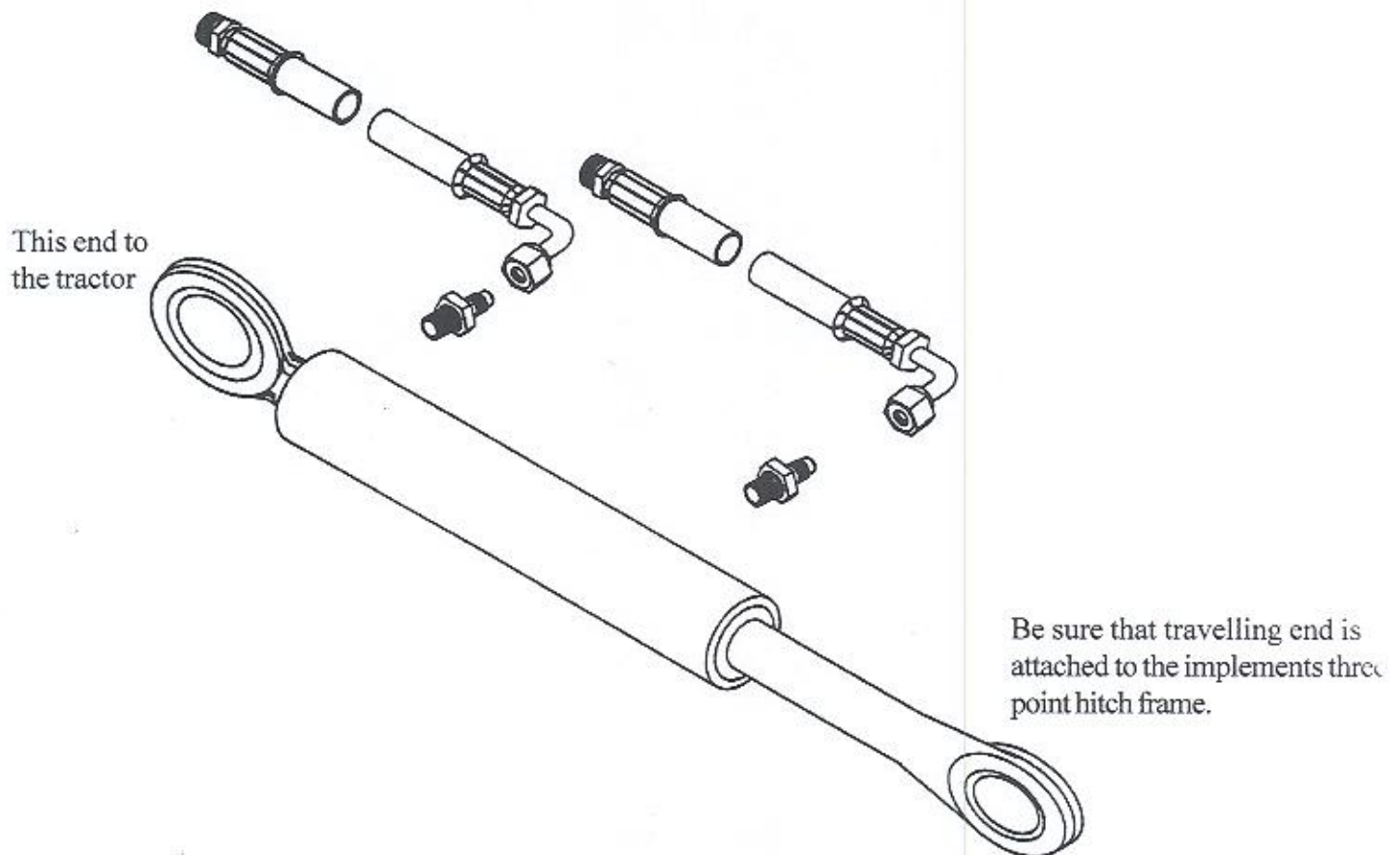
29	1938	Socket set Screw
30	1989	R Clip
31	1933	Parallel Key
32	21003	Needle Roller Bearing
33	1/1095	Set Screw
34	1/1096	Set Screw
35	1/1039	Set Screw
36	1/1104	Set Screw
37	1/1153	Set Screw
38	1/1729	Bolt
39	21018	Needle Roller Clutch
40	4112	Transfer
41	21019	Inner Ring
42	33806	Thrust Washer
43	1/1218	Nylon Insert Nut
44	1/1220	Nylon Insert Nut
45	1/1228	Nylon Insert Nut
46	1/1071	Plain Washer
47	1/1072	Plain Washer
48	1/1076	Plain Washer
49	1/1062	Plain Washer
50	1/1065	Plain Washer
51	1/1082	HP Plain Washer
52	1423	Washer
53	20372	Lower Link Pin
54	1696	Pop Rivet
55	1480	Standard Name Plate
56	33807	Transfer
57	7386	Elasticated Cover
58	1/1227	Half Nut
59	1/1161	Set Screw
60	33817	Seed Deflector
61	3171	Rubber Edging Strip
62	7373	Square Bore Washer

Updated: August 2005

Hose Ends are 3/8" NPT for No.3 Quick Connectors

Hoses are rated at 4000 p.s.i. capacity.

Hydraulic Cylinder is rated at 2500 p.s.i. capacity



Hydraulic Top Link

Item No.	Part No.	Part Description	Qty.
1	15150	Hydraulic Cylinder	1
2	15151	Hoses - 60" Long (B-BP-4/6& B-DM-6)	2
	08170	Hoses - 108" Long (BA-400/B-SDS)	2
3	15152	NPT to JIC Connectors	2