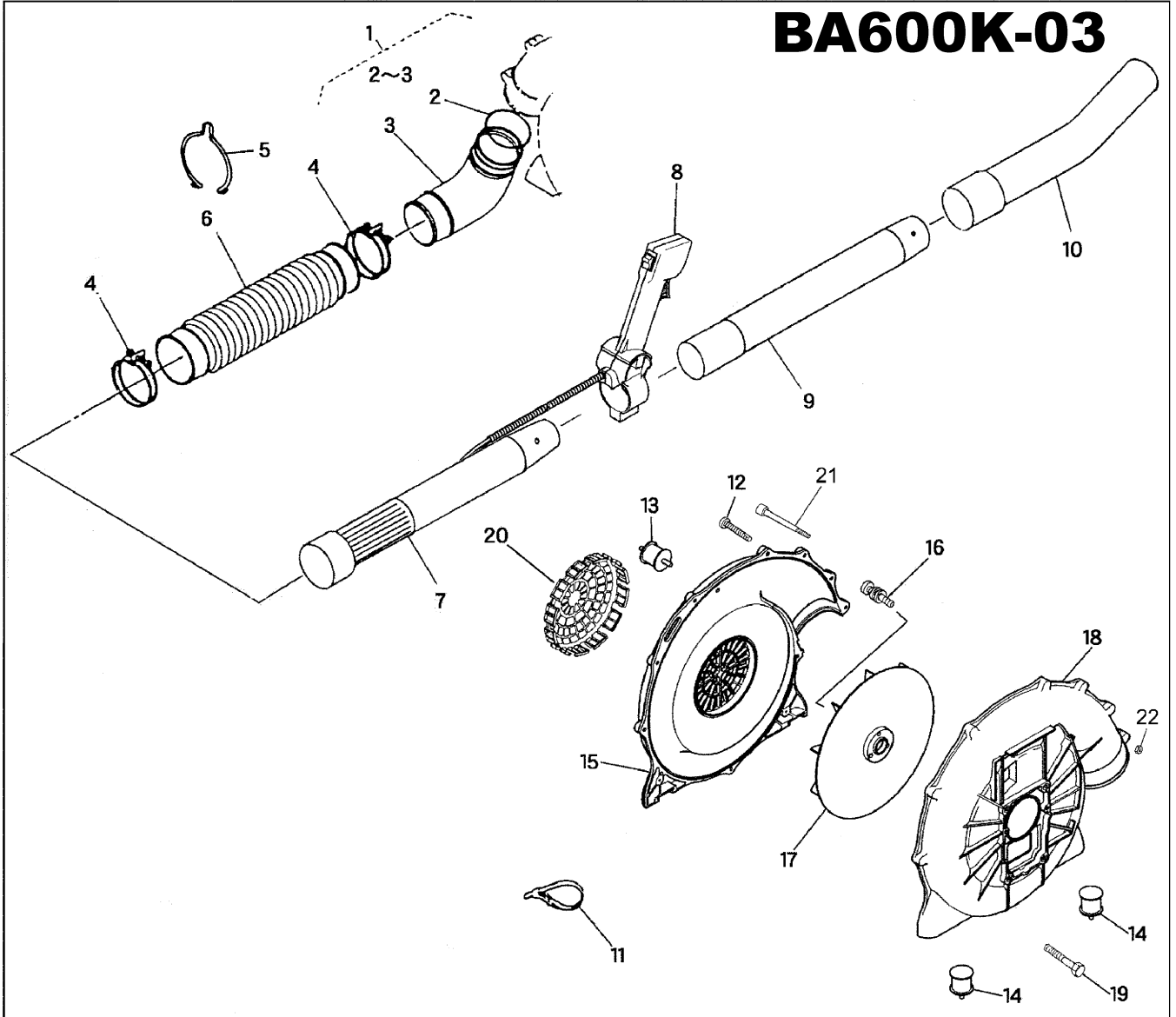


# BA600K-03

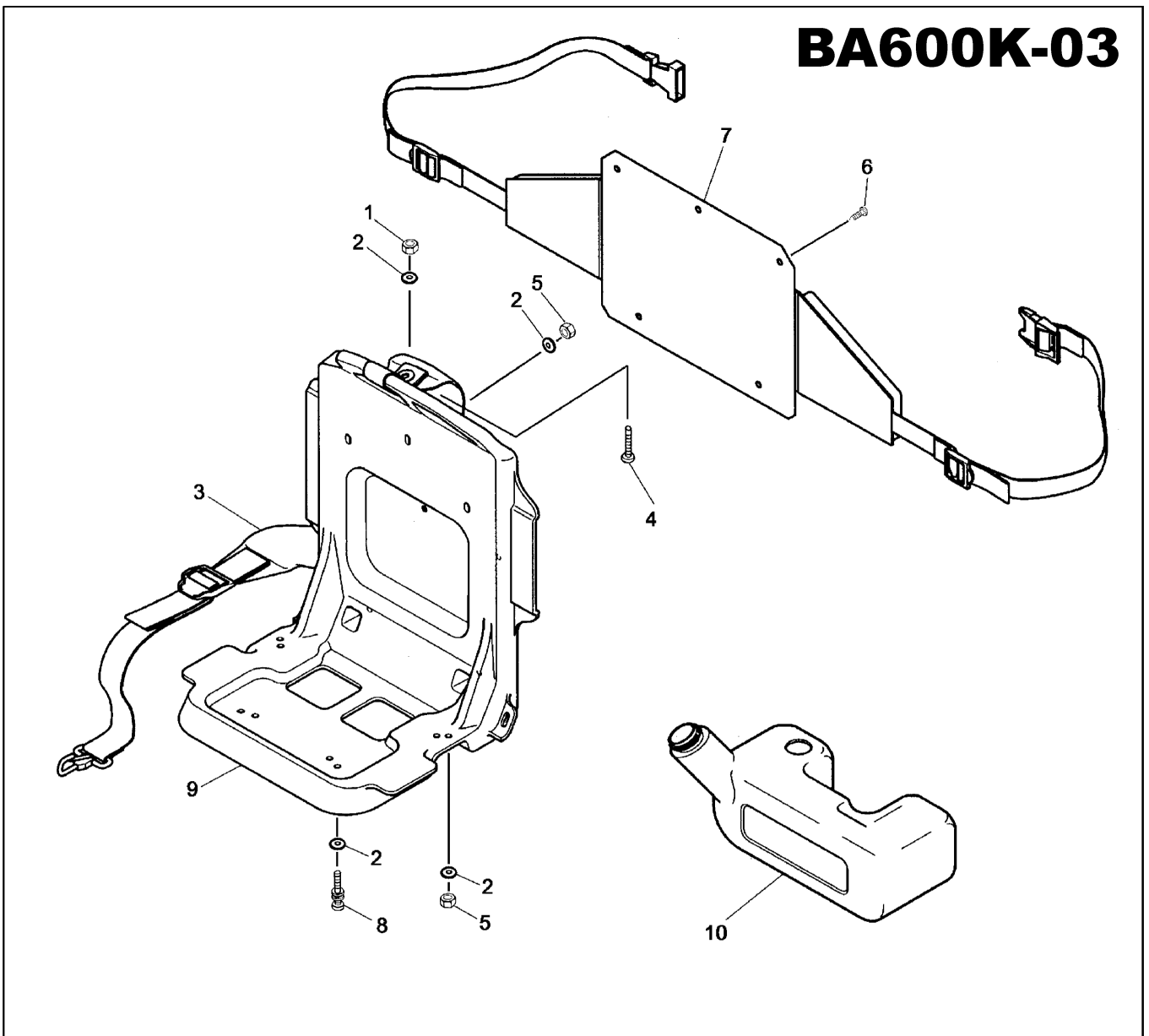


## PARTS LIST

MODEL: BA600K

REF. NO.	PARTS NO.		PARTS NAME	Q'TY			Jun. 01. 2001		1/1
				INCLUDING			PRICE(¥)	RECOMM (%)	REMARKS
1	71214	102	ELBOW PIPE C.P.	1					
2	212B	8000	O-RING		1				
3	36086	104	ELBOW PIPE		1				
4	68031	139	HOSE BAND	2					
5	68026	107	WIRE CLAMP	1					
6	36084	104	FLEX. PIPE	1					
7	36087	105	BASE PIPE	1					
8	71056	239	THROTTLE LEVER Ass'y	1					
9	36088	107	MIDDLE PIPE	1					
10	36089	105	BEND PIPE	1					
11	68028	102	WIRE BAND	1					
12	470L	0520	(+)TAPPING SCREW			M5×20			
13	36005	163	VIBRO-ISOLATING RUBBER	1					
14	36005	164	VIBRO-ISOLATING RUBBER	2					
15	51123	194	FAN CASE	1					
16	31062	146	PRE-COAT LOCK BOLT	3					
17	51125	114	FAN	1					
18	51123	195	FAN CASE	1					
19	31062	144	PRE-COAT LOCK BOLT	4					
20	36083	105	FAN COVER	1					
21	412U	0565	SOCKET SCREW	2					
22	572L	0500	NYLON NUT	2					

# BA600K-03



## PARTS LIST

MODEL: BA600K

REF. NO.	PARTS NO.		PARTS NAME		Q'TY			PRICE(¥)	RECOMM (%)	REMARKS
					INCLUDING					
1	569L	0600	FLANGE NYLON NUT	M6	2					
2	68036	125	WASHER		7					
3	36063	196	SHOULDER BAND		2					
4	376L	0616	(+)TRUSS SCREW	M6×16	2					
5	561L	0600	U-NUT	M6	3					
6	68027	107	CLIP		5					
7	91027	128	KNAPSACK PAD		1					
8	375L	0616	(+)SCREW(W/SW,PW)	M6×16	2					
9	36122	118	KNAPSACK FRAME		1					
10	36066	116	FUEL TANK		1					

Jun. 01. 2000

1/1

This catalog covers:  
**TE059D-□C50**

This fig. covers:  
**TITLE**

# PARTS CATALOG

## 2-STROKE ENGINE

### TE059D

PRODUCT CODE	NOTE
TE059D-BC50	BLOWER
	(BA600K)



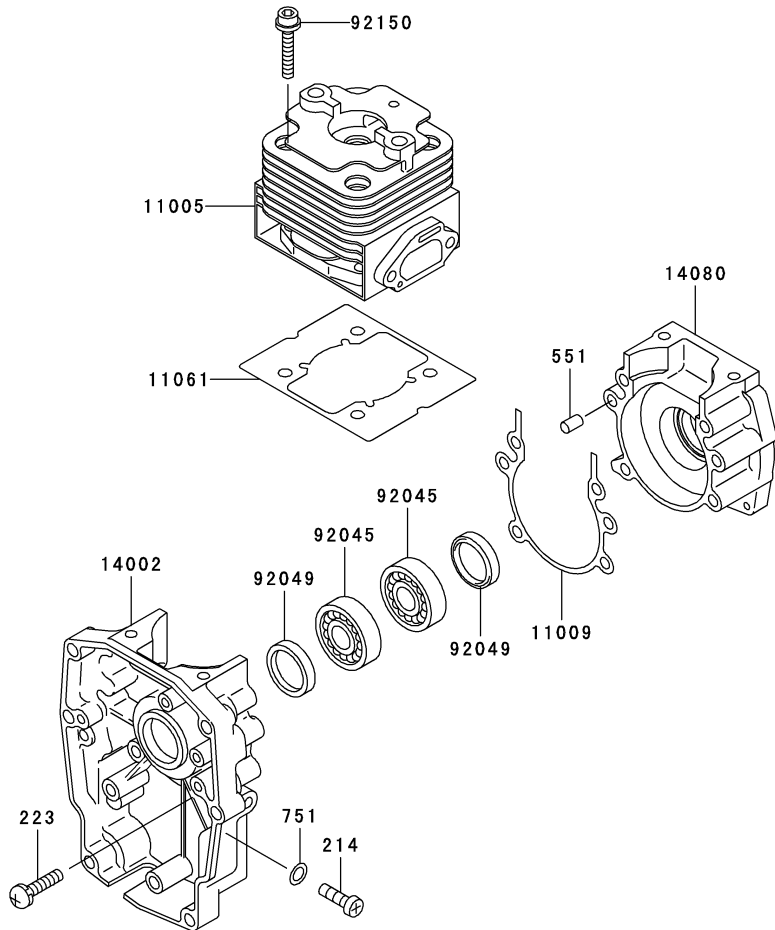
This catalog covers:

TE059D- □ C50

This fig. covers:

**01 CYLINDER/CRANKCASE**

E0110-A366B



Ref. No.	Part No.	Description	Quantity
11005	11005-2149	CYLINDER-ENGINE	1
11009	11009-2495	GASKET,CRANKCASE	1
11061	11061-2080	GASKET,CYLINDER	1
14002	14002-2225	CRANKCASE	1
14080	14080-2054	CRANKCASE	1
92045	92045-2055	BEARING-BALL,6203C3	2
92049	92049-2077	SEAL-OIL	2
92150	92150-2294	BOLT	4
214	214B0608	SCREW-PAN+-	1
223	223B0630	SCREW-PAN-WS-CROS	4
551	551A0610	PIN-DOWEL	2
751	751Q0600	GASKET	1

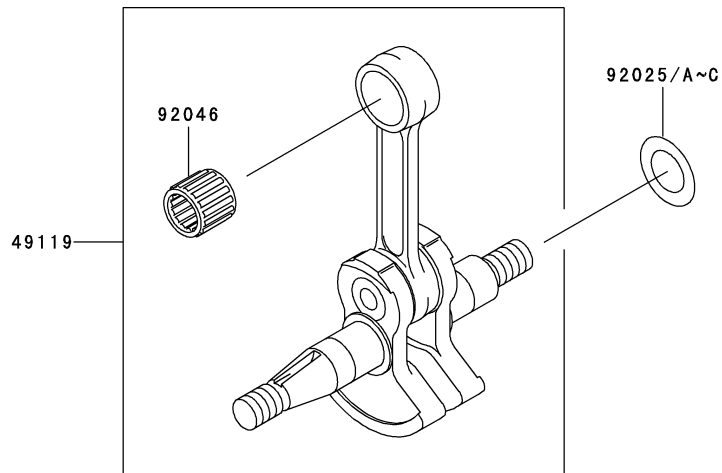
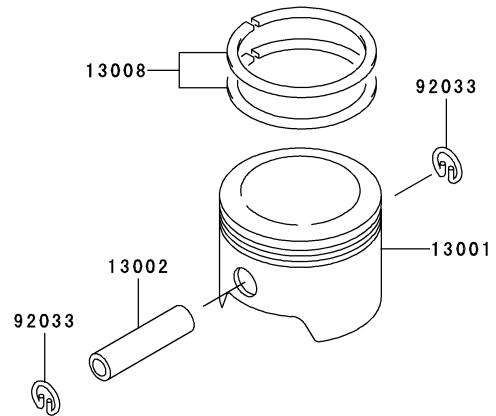
This catalog covers:

TE059D- □ C50

This fig. covers:

## 02 PISTON/CRANKSHAFT

E0120-A036A



Ref. No.	Part No.	Description	B	Quantity
13001	13001-2144	PISTON-ENGINE	1	
13002	13002-2067	PIN-PISTON	1	
13008	13008-6054	RING-SET-PISTON	1	
49119	49119-6198	CRANKSHAFT-ASSY	1	
92025	92025-2092	SHIM,T=0.20	AR	
92025A	92025-2093	SHIM,T=0.40	AR	
92025B	92025-2094	SHIM,T=0.60	AR	
92025C	92025-2107	SHIM,T=0.10	AR	
92033	92033-2058	RING-SNAP	2	
92046	13033-2005	BEARING-NEEDLE	1	

This catalog covers:

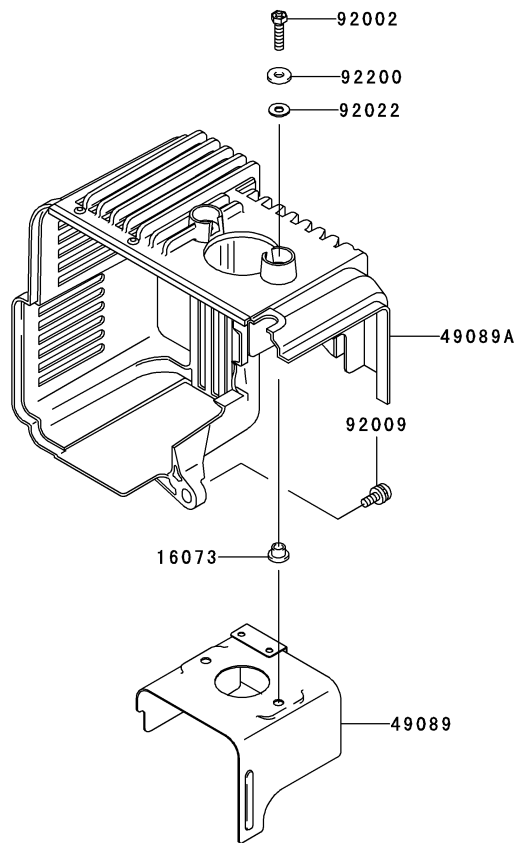
TE059D- □ C50

03

This fig. covers:

COOLING-EQUIPMENT

E0150-A415A



Ref. No.	Part No.	Description	Quantity
16073	16073-2197	INSULATOR	2
49089	49089-2524	SHROUD-ENGINE	1
49089A	49089-2532	SHROUD-ENGINE	1
92002	92002-2322	BOLT,5X20	2
92009	92009-2285	SCREW	1
92022	92022-2157	WASHER	2
92200	92200-2063	WASHER,5.5X13.8X2.0	2

This catalog covers:

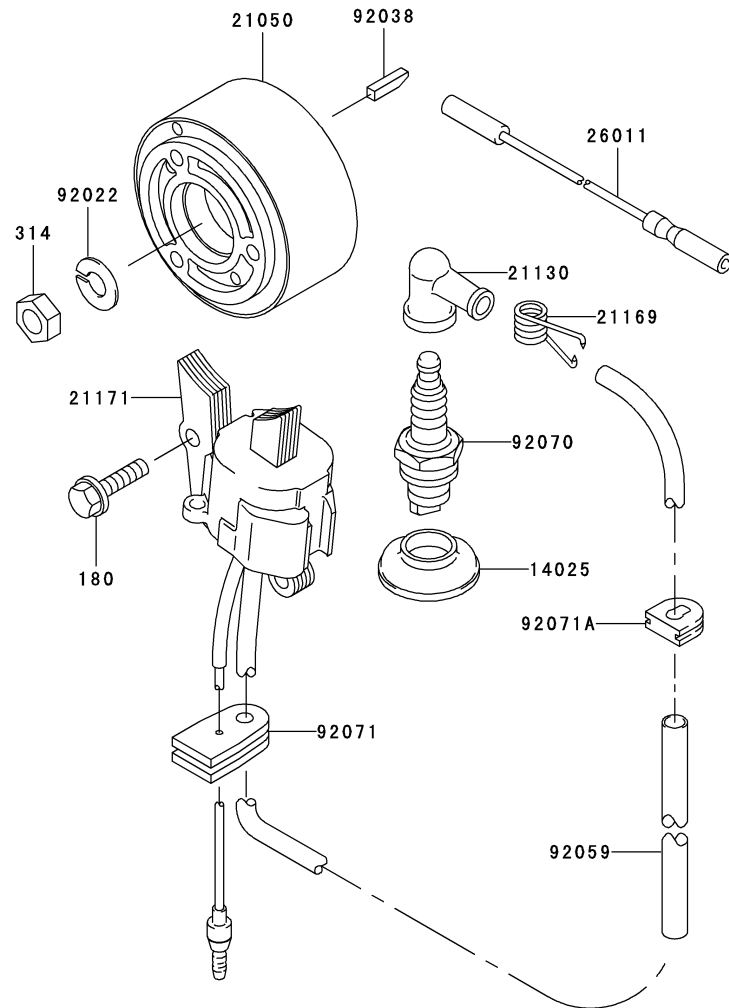
TE059D- □ C50

04

This fig. covers:

ELECTRIC-EQUIPMENT

E0160-A722B



Ref. No.	Part No.	Description	Quantity
14025	14025-2110	COVER	1
21050	21050-2262	FLYWHEEL	1
21130	21130-2056	CAP-SPARK PLUG	1
21169	21169-2051	TERMINAL	1
21171	21171-2201	COIL-ASSY-IGNITION	1
26011	26011-2321	WIRE-LEAD	1
92022	92022-2147	WASHER	1
92038	92038-2078	KEY	1
92059	92059-2233	TUBE,6X7.4X300	1
92070	92070-2107	PLUG-SPARK,BPMR7A(NGK),SOLID	1
92071	92071-2077	GROMMET	1
92071A	92071-2155	GROMMET	1
180	180B0520	BOLT-UPSET-WS	2
314	314R1000	NUT-HEX-FINE	1



This catalog covers:

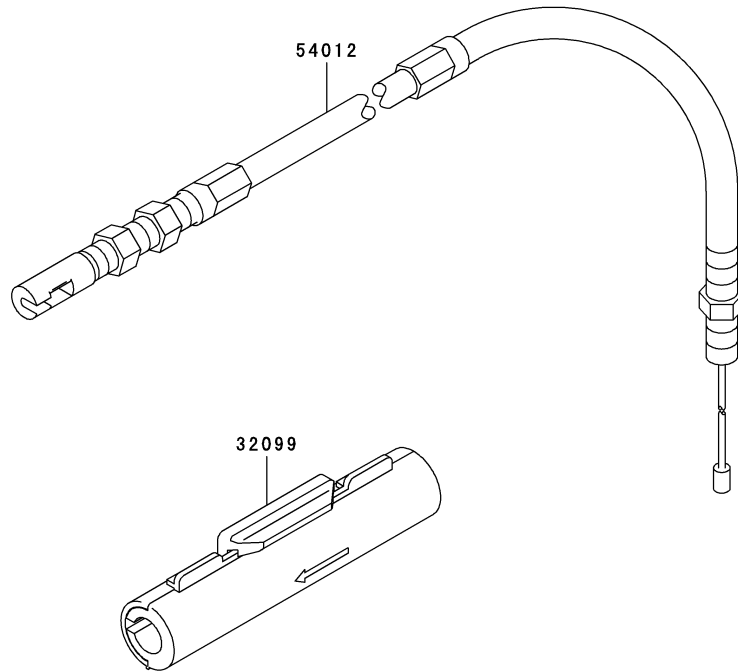
**TE059D-** □ **C50**

This fig. covers:

**05 CONTROL-EQUIPMENT**

E0170-A228A

Ref. No.	Part No.	Description	B	Quantity
32099	32099-2326	CASE		1
54012	54012-2578	CABLE-THROTTLE		1



This catalog covers:

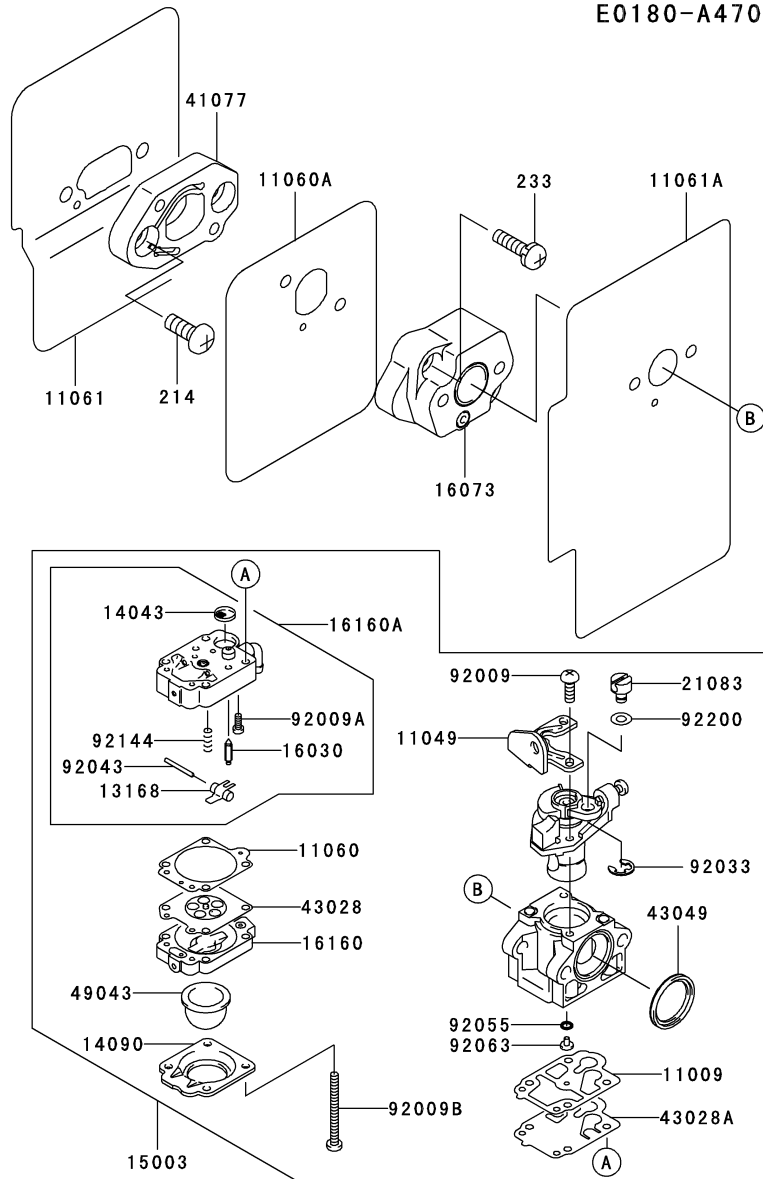
TE059D- □ C50

06

This fig. covers:

CARBURETOR

E0180-A470A



Ref. No.	Part No.	Description	Quantity
11009	11009-2757	GASKET	1
11049	11049-2006	BRACKET	1
11060	11060-2111	GASKET	1
11060A	11060-2439	GASKET	1
11061	11061-2079	GASKET	1
11061A	11061-2081	GASKET	1
13168	16055-2051	LEVER	1
14043	14043-2051	FILTER	1
14090	14090-2017	COVER,PRIMER PUMP	1
15003	15003-2804	CARBURETOR-ASSY	1
16030	16030-2078	VALVE-FLOAT	1
16073	16073-2213	INSULATOR	1
16160	16160-2089	BODY	1
16160A	16160-2101	BODY	1
21083	21083-2073	ARM	1
41077	41077-2067	ADAPTER	1
43028	43028-2054	DIAPHRAGM	1
43028A	43028-2067	DIAPHRAGM	1
43049	43049-2060	PACKING	1
49043	49043-2067	PUMP-PRIMING	1
92009	92009-2277	SCREW	2
92009A	92009-2336	SCREW	1
92009B	92009-2337	SCREW	4
92033	92033-2078	RING-SNAP	1
92043	92043-2094	PIN	1
92055	92055-2147	RING-O	1
92063	92063-2365	JET-MAIN,#52	1
92144	92144-2308	SPRING	1
92200	92200-2074	WASHER	1
214	214B0616	SCREW-PAN+-	2
233	233B0520	SCREW-PAN-WP+-	2

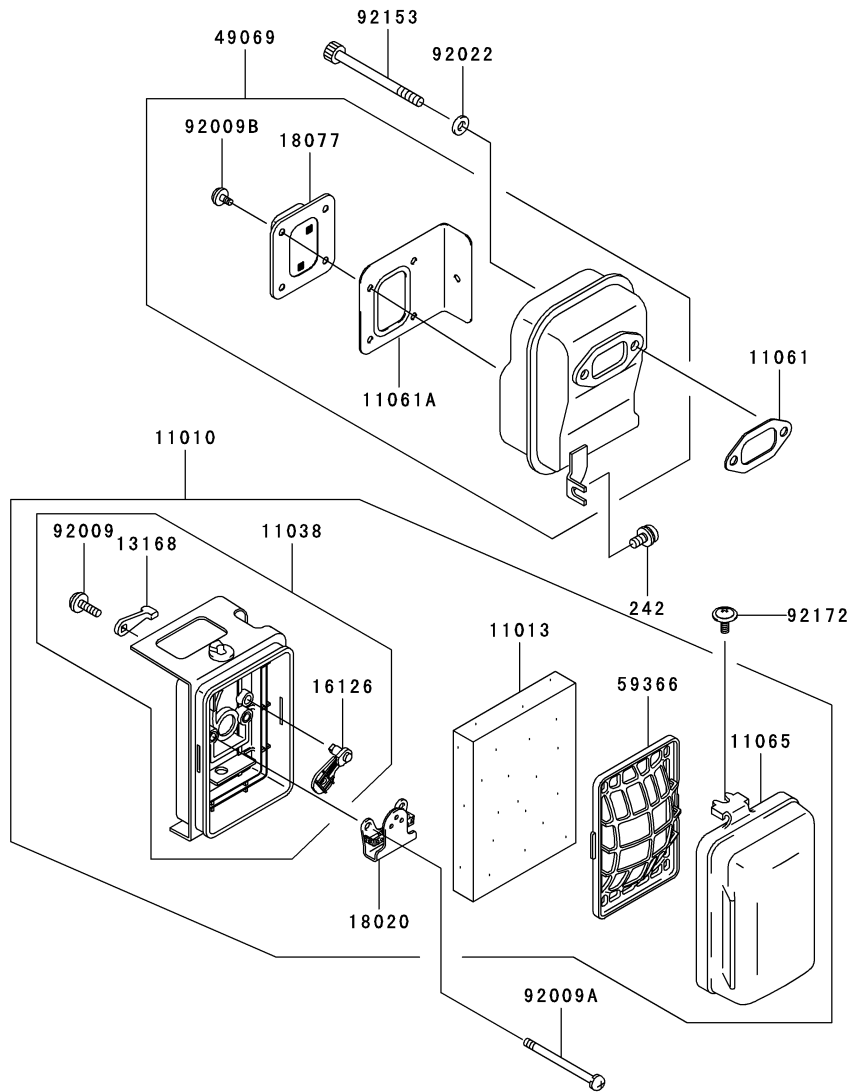
This catalog covers:

TE059D- □ C50

This fig. covers:

**07 AIR-FILTER/MUFFLER**

E0190-A632A



Ref. No.	Part No.	Description	Quantity
11010	11010-2566	FILTER-ASSY-AIR	1
11013	11013-2202	ELEMENT-AIR FILTER	1
11038	11038-2085	CASE-ASSY-AIR FILTER	1
11061	11061-2093	GASKET	1
11061A	11061-2105	GASKET	1
11065	11065-2107	CAP	1
13168	13168-2463	LEVER	1
16126	16126-2233	VALVE	1
18020	18020-2081	BAFFLE	1
18077	18077-2116	ARRESTER-SPARK	1
49069	49069-2373	MUFFLER-ASSY	1
59366	59366-2067	GRATE	1
92009	92009-2359	SCREW,3X10	1
92009A	92009-2435	SCREW,5X63	2
92009B	92009-2446	SCREW	4
92022	92022-1523	WASHER,6.5X13X2.0	2
92153	92153-2063	BOLT	2
92172	92172-2066	SCREW,5X14	1
242	242B0614	SCREW-PAN-WSP+-	1

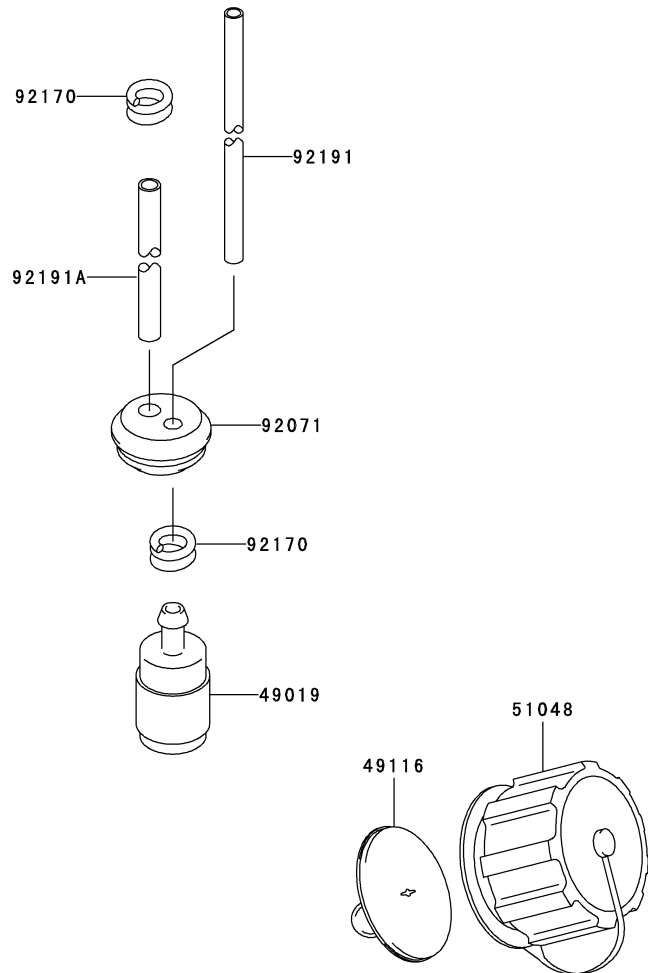
This catalog covers:

TE059D- □ C50

This fig. covers:

# 08 FUEL-TANK/FUEL-VALVE

E0200-A199C



Ref. No.	Part No.	Description	Quantity
49019	49019-2085	FILTER-FUEL	1
49116	49116-2064	VALVE-ASSY	1
51048	51048-2078	CAP-ASSY-TANK	1
92071	92071-2142	GROMMET,FUEL TANK	1
92170	92170-2080	CLAMP,FUEL FILTER	2
92191	92191-2136	TUBE,3X5X300	1
92191A	92191-2137	TUBE,3X6X160	1

This catalog covers:

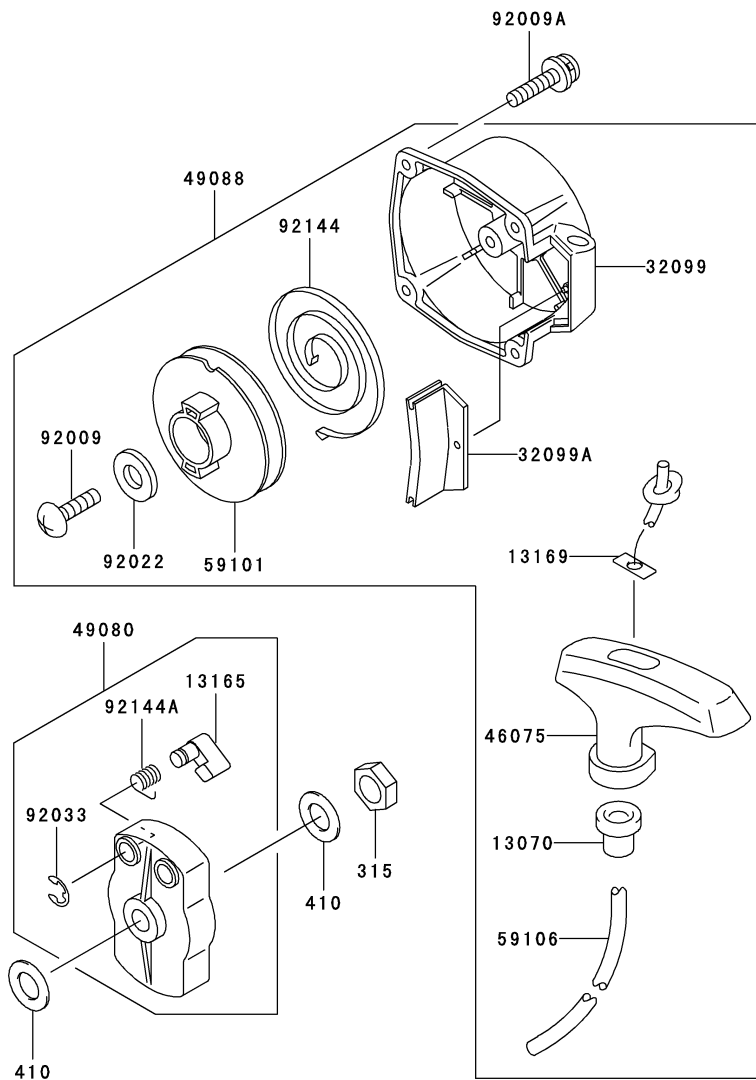
TE059D- □ C50

09

This fig. covers:

STARTER

E0210-A141E



Ref. No.	Part No.	Description	Quantity
13070	13070-2064	GUIDE, ROPE	1
13165	13165-2084	PAWL, RECOIL STARTER	1
13169	13169-2386	PLATE, RECOIL STARTER	1
32099	32099-2135	CASE, RECOIL STARTER	1
32099A	32099-2136	CASE, RECOIL STARTER	1
46075	46075-2067	GRIP, RECOIL STARTER	1
49080	49080-2185	PULLEY-STARTING	1
49088	49088-2311	STARTER-RECOIL	1
59101	59101-2074	REEL, RECOIL STARTER	1
59106	59106-2092	ROPE, 3.8X1150	1
92009	92009-2218	SCREW, 5X12	1
92009A	92009-2386	SCREW, 4X16	4
92022	92022-2237	WASHER	1
92033	92033-2010	RING-SNAP	1
92144	92144-2040	SPRING, RECOIL	1
92144A	92144-2046	SPRING, RETURN	1
315	315B1000	NUT-HEX-FINE	1
410	410B1000	W-PLAIN-S	2

This catalog covers:

TE059D- □ C50

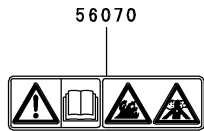
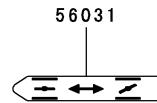
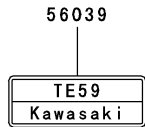
10

This fig. covers:

LABEL

F0290-B049A

Ref. No.	Part No.	Description	Quantity
56031	56031-2468	LABEL-MANUAL	1
56039	56039-2800	LABEL-PRODUCT	1
56070	56070-2020	LABEL-WARNING	1
56070A	56070-2063	LABEL-WARNING	1



*This catalog covers:*

**TE059D-  C50**

*This fig. covers:*

---

## PART NAME INDEX

AIR-FILTER/MUFFLER.....	07
CARBURETOR.....	06
CONTROL-EQUIPMENT.....	05
COOLING-EQUIPMENT.....	03
CYLINDER/CRANKCASE .....	01
ELECTRIC-EQUIPMENT.....	04
FUEL-TANK/FUEL-VALVE.....	08
LABEL.....	10
PISTON/CRANKSHAFT .....	02
STARTER.....	09

This catalog covers:

TE059D-  C50

This fig. covers:

## NUMERICAL PARTS INDEX

Part No.	Fig No.	Part No.	Fig No.	Part No.	Fig No.	Part No.	Fig No.	Part No.	Fig No.
11005-2149	01	46075-2067	09	92191-2136	08				
11009-2495	01	49019-2085	08	92191-2137	08				
11009-2757	06	49043-2067	06	92200-2063	03				
11010-2566	07	49069-2373	07	92200-2074	06				
11013-2202	07	49080-2185	09						
11038-2085	07	49088-2311	09						
11049-2006	06	49089-2524	03						
11060-2111	06	49089-2532	03						
11060-2439	06	49116-2064	08						
11061-2079	06	49119-6198	02						
11061-2080	01	51048-2078	08						
11061-2081	06	54012-2578	05						
11061-2093	07	551A0610	01						
11061-2105	07	56031-2468	10						
11065-2107	07	56039-2800	10						
13001-2144	02	56070-2020	10						
13002-2067	02	56070-2063	10						
13008-6054	02	59101-2074	09						
13033-2005	02	59106-2092	09						
13070-2064	09	59366-2067	07						
13165-2084	09	751Q0600	01						
13168-2463	07	92002-2322	03						
13169-2386	09	92009-2218	09						
14002-2225	01	92009-2277	06						
14025-2110	04	92009-2285	03						
14043-2051	06	92009-2336	06						
14080-2054	01	92009-2337	06						
14090-2017	06	92009-2359	07						
15003-2804	06	92009-2386	09						
16030-2078	06	92009-2435	07						
16055-2051	06	92009-2446	07						
16073-2197	03	92022-1523	07						
16073-2213	06	92022-2147	04						
16126-2233	07	92022-2157	03						
16160-2089	06	92022-2237	09						
16160-2101	06	92025-2092	02						
18020-2081	07	92025-2093	02						
18077-2116	07	92025-2094	02						
180B0520	04	92025-2107	02						
21050-2262	04	92033-2010	09						
21083-2073	06	92033-2058	02						
21130-2056	04	92033-2078	06						
21169-2051	04	92038-2078	04						
21171-2201	04	92043-2094	06						
214B0608	01	92045-2055	01						
214B0616	06	92049-2077	01						
223B0630	01	92055-2147	06						
233B0520	06	92059-2233	04						
242B0614	07	92063-2365	06						
26011-2321	04	92070-2107	04						
314R1000	04	92071-2077	04						
315B1000	09	92071-2142	08						
32099-2135	09	92071-2155	04						
32099-2136	09	92144-2040	09						
32099-2326	05	92144-2046	09						
41077-2067	06	92144-2308	06						
410B1000	09	92150-2294	01						
43028-2054	06	92153-2063	07						
43028-2067	06	92170-2080	08						
43049-2060	06	92172-2066	07						