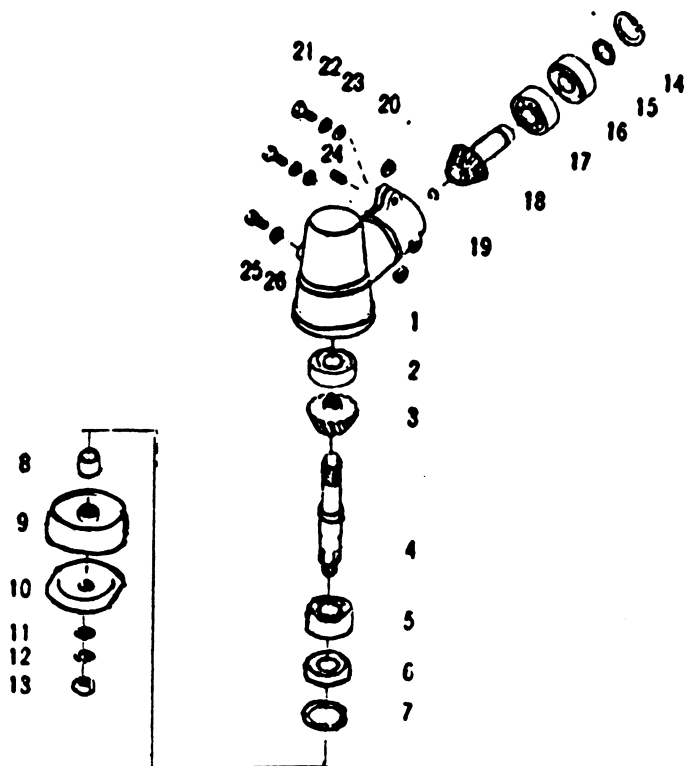


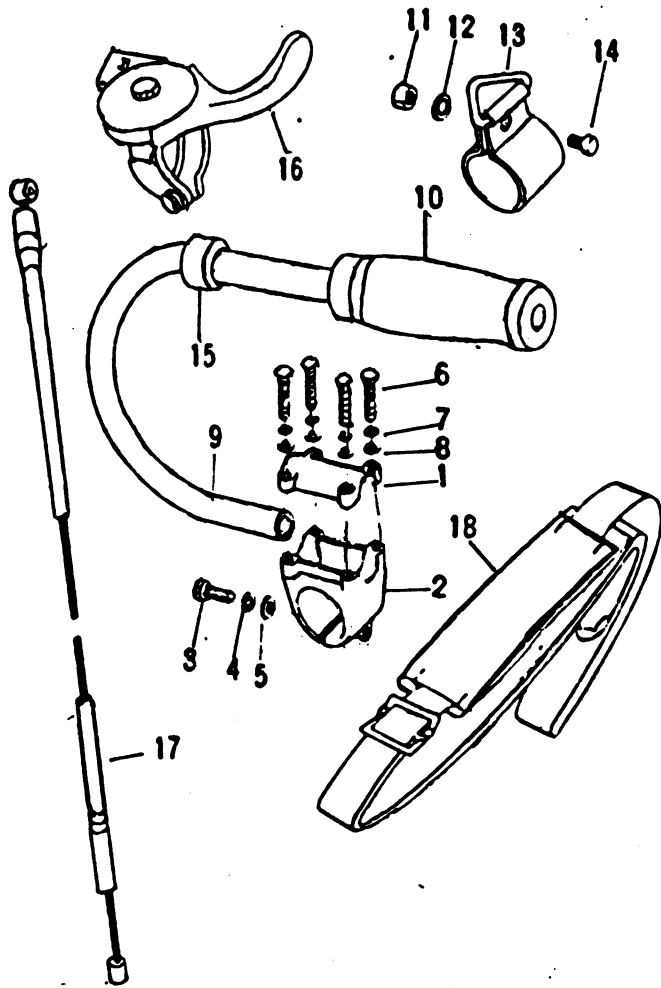
<u>No.</u>	<u>Part Number</u>	<u>Description</u>	<u>Quantity</u>
1	0401-02010	Clutch case	1
2		M5 x 25 screw	2
3		M5 Washer	2
4		M5 Nut	2
5	0401-11500	Washer	2
6		M6 Nut	4
7		M6 Washer	4
8		M6 x 24 screw	4
9	0401-10100	Main pipe ass'y.	1
10	0401-11470	Bushing	5
11	0401-11480	Inner shaft	1
12		12 ϕ	1
13		6001ZZ Bearing	1
14		28 ϕ	1
15	0401-11530	Clutch drum	1
17	0401-11550	M8 x 10 screw	1
18	0401-02050	Tube grip	1
19	0404-12191	One piece stand	1



<u>No.</u>	<u>Part Number</u>	<u>Description</u>	<u>Quantity</u>
1	0401-12100	Gear case housing	1
2		6000ZZ Bearing	1
3	0401-11420	Bevel gear	1
4	0401-11400	Splined shaft	1
5		6201 OP	1
6		TB17-32-8	1
7		32 ϕ	1
8	0401-11430	Splined sleeve	1
9	0401-11450	Splined washer A	1
10	0401-11460	Splined washer B	1
11		8.5 ϕ x 18 ϕ x 1.6t	1
12		M8 Washer	1
13		M8 Nut	1
14		26 ϕ	1
15		10 ϕ	1
16		6000ZZ Bearing	1
17		6000 OP	1
18	0401-11410	Bevel pinion	1
19	0401-11440	Gasket	1
20	0401-11500	Washer	1
21		M5 x 25 screw	2
22		M5 Washer	2
23		M5 Nut	2
24		M5 x 8	1
25		M6 x 8 screw	1
26	0401-11440		
	0401-10120	Gear case ass'y	1
	0401-12300	Grass cover blade stabilizer	1
	0401-12101	Gear case only	1

3.

HANDLE ASSEMBLY FOR BW - 3



<u>NO.</u>	<u>PART NUMBER</u>	<u>DESCRIPTION</u>	<u>QUANTITY</u>
1	0401-12250	Handle Joint A	1
2	0401-03020	Handle Joint B	1
3		Screw M6 x 25	1
4		Washer M6	1
5		Nut M6	1
6		Screw M5 x 20	4
7		Washer M5	4
8		Washer M5	4
9	0401-11570	Single Handle	1
10	0401-11580	Handle Grip	1
11		Nut M5	1
12		Washer M5	1
13	0401-12111	Strap Grip	1
14		Screw M5 x 10	1
15	0401-11590	Collar	1
16	311120-5431	Throttle Lever	1
17	311555-5432	Throttle Cable	1
18	0401-12090	Strap	1
	0404-12191	Stand	1